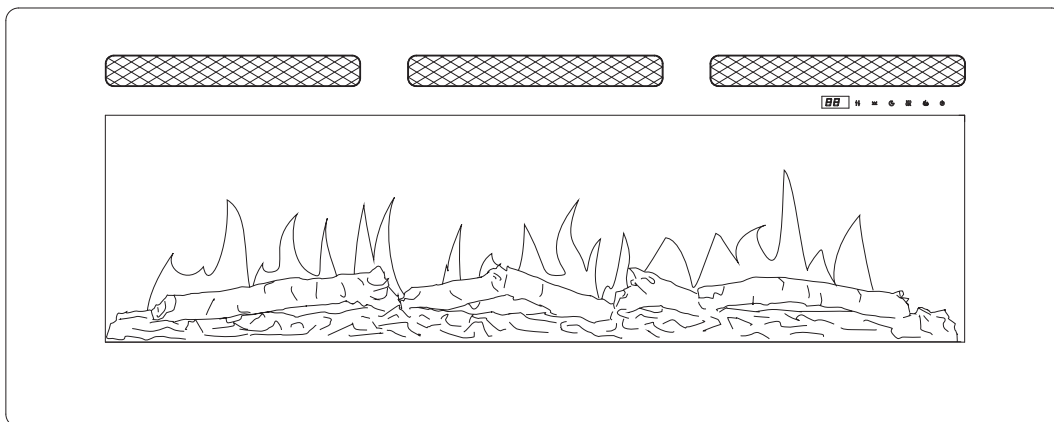




Models
SIL48/SIL48M
SIL60/SIL60M
SIL72
SIL96

Service Manual



IMPORTANT SAFETY INFORMATION:


Read this manual first before attempting to install or use this electric fireplace. Always comply with the warnings and safety instructions contained in this manual to prevent personal injury or property damage.


Table of Contents

Exploded Parts Diagrams	3
Wiring Diagrams	4
SIL48	4
SIL48M	4
SIL60	5
SIL72	5
SIL96	5
Replacement Part Procedures	6
Preparing the Firebox for Service	6
Heater Assembly Replacement	7
Touch Pad Replacement	8
Flicker Motor Replacement	9
Heater Assembly Replacement	10
Flame LED Replacement	11
Color LED Replacement	11
Temperature Sensor (NTC) Replacement	11
Troubleshooting	12

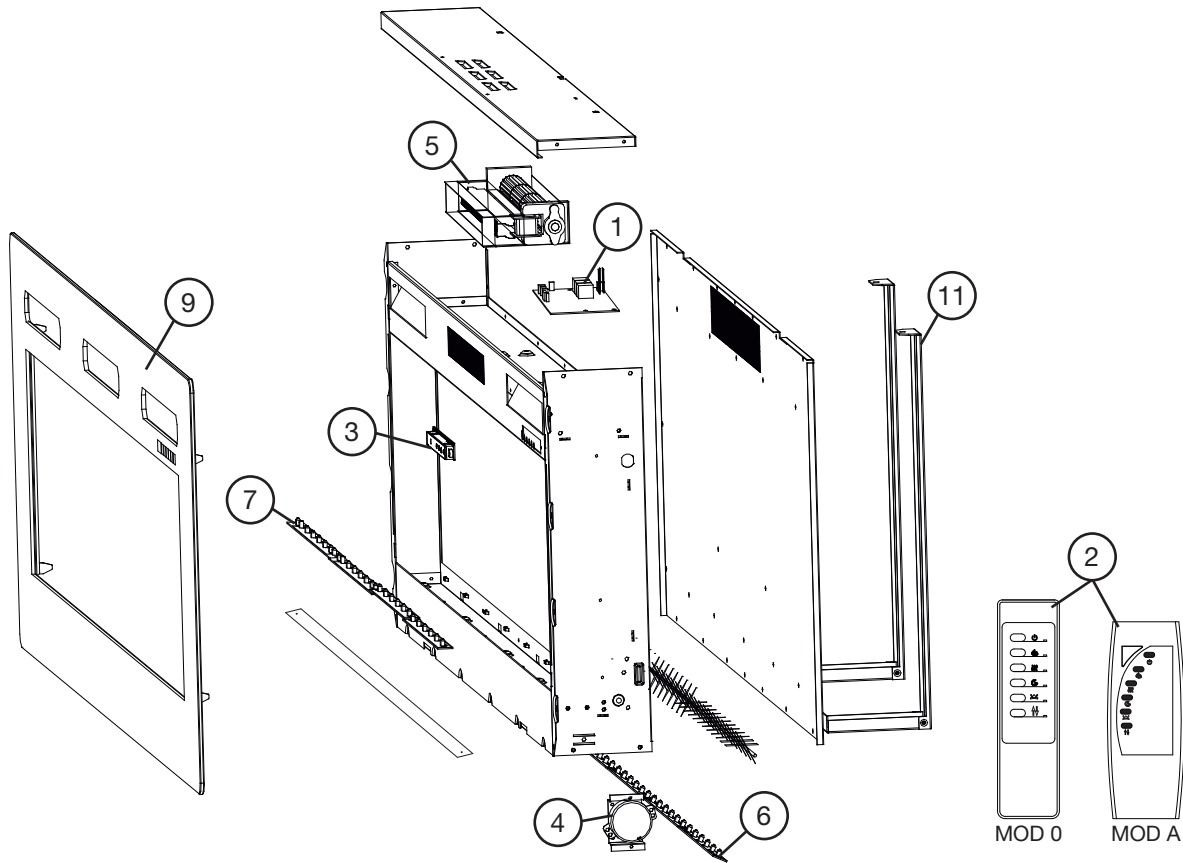
Conventions used in this manual:

! **NOTE:** Procedures and techniques that are considered important enough to emphasize.

 **CAUTION:** Procedures and techniques which, if not carefully followed, will result in damage to the equipment.

 **WARNING:** Procedures and techniques which, if not carefully followed, will expose the user to the risk of fire, serious injury, or death.

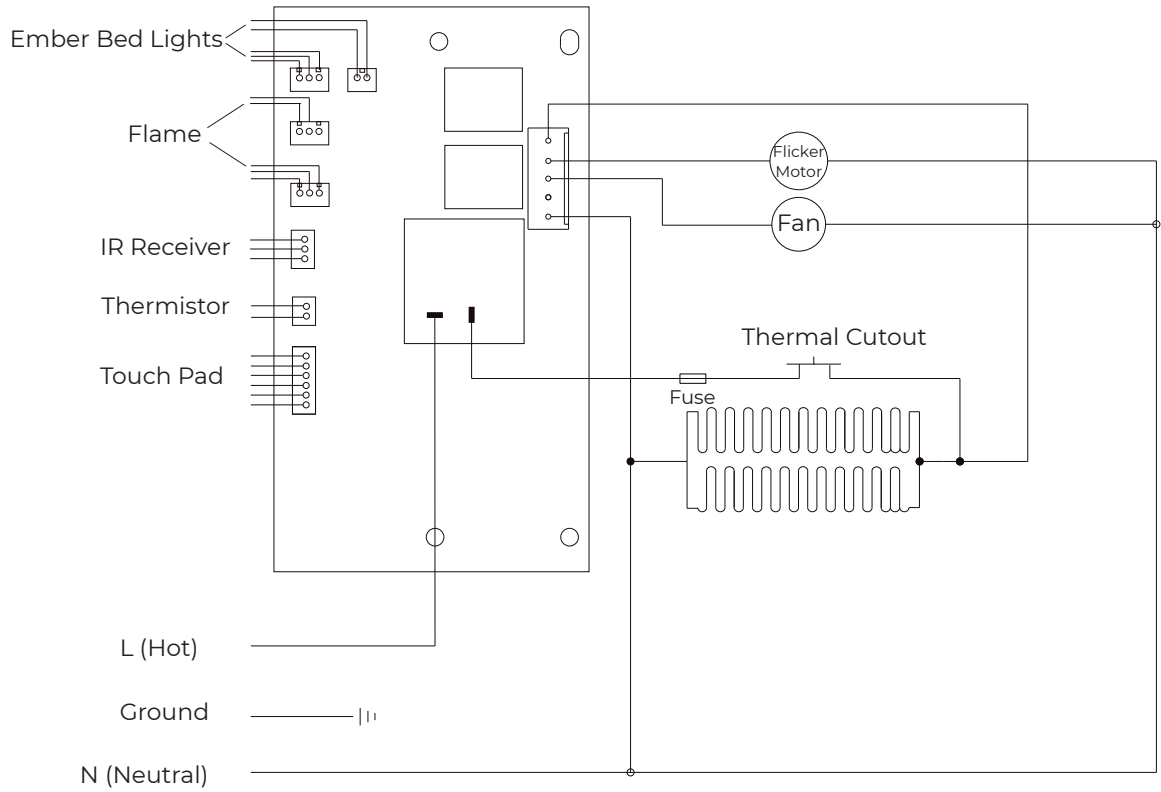
Exploded Parts Diagrams



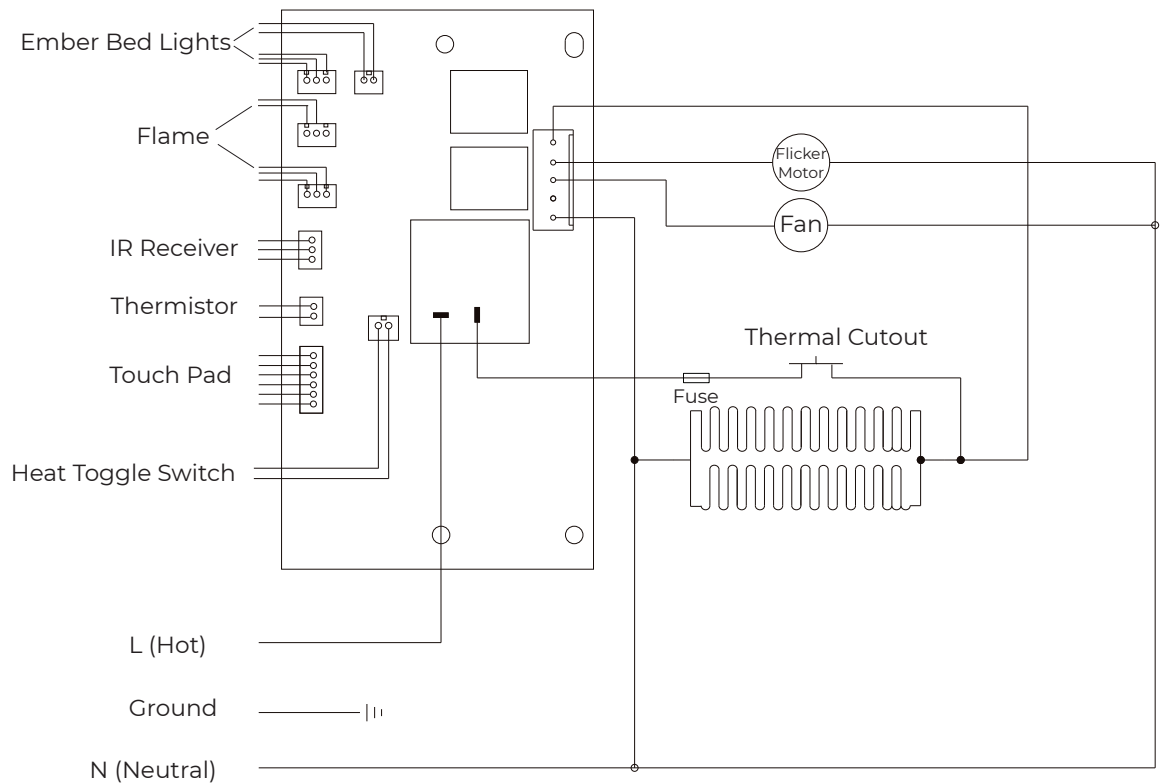
1. Main Control Board		8. Temperature Sensor (NTC)	
SIL48 MOD 0	9602330100RP	SIL48 & SIL48M	9602110800RP
SIL48 MOD A	9602332400RP	SIL60 & SIL72	9602331000RP
SIL48M MOD 0	9602330200RP	SIL96	9602331100RP
SIL48M MOD A	9602332500RP	9. Front Glass	
SIL60 & SIL72 MOD 0	9602332300RP	SIL48 & SIL48M	9602331200RP
SIL60 & SIL72 MOD A	9602332600RP	SIL60	9602331300RP
SIL96 MOD 0	9602330300RP	SIL72	9602331400RP
SIL96 MOD A	9602332700RP	SIL96	9602331500RP
2. Remote Control		10. Power Cord	9602111000RP
MOD 0	9602110200RP	11. Wall Mounting Hardware	9602331600RP
MOD A	9602332800RP	12. Feet	
3. Touch Pad (with IR sensor)	9602110300RP	MOD 0	9602331700RP
4. Flicker Motor	9602110400RP	MOD A	9602332900RP
5. Heater Assembly	9602332200RP	13. Log Set	
6. Flame LEDs		SIL48 & SIL48M	9602331800RP
SIL48 & SIL48M	9602110600RP	SIL60	9602331900RP
SIL60	9602330400RP	SIL72	9602332000RP
SIL72	9602330500RP	SIL96	9602332100RP
SIL96	9602330600RP		
7. Color LEDs			
SIL48 & SIL48M	9602110700RP		
SIL60	9602330700RP		
SIL72	9602330800RP		
SIL96	9602330900RP		

Wiring Diagrams

SIL48

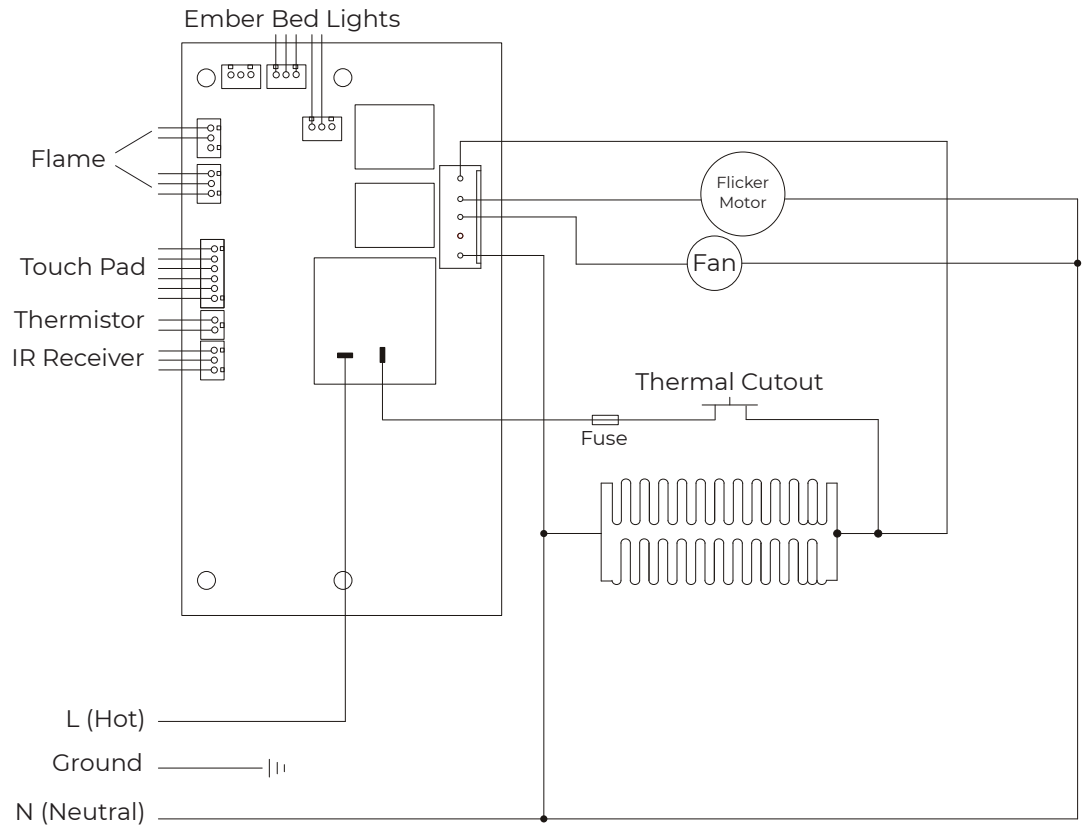


SIL48M

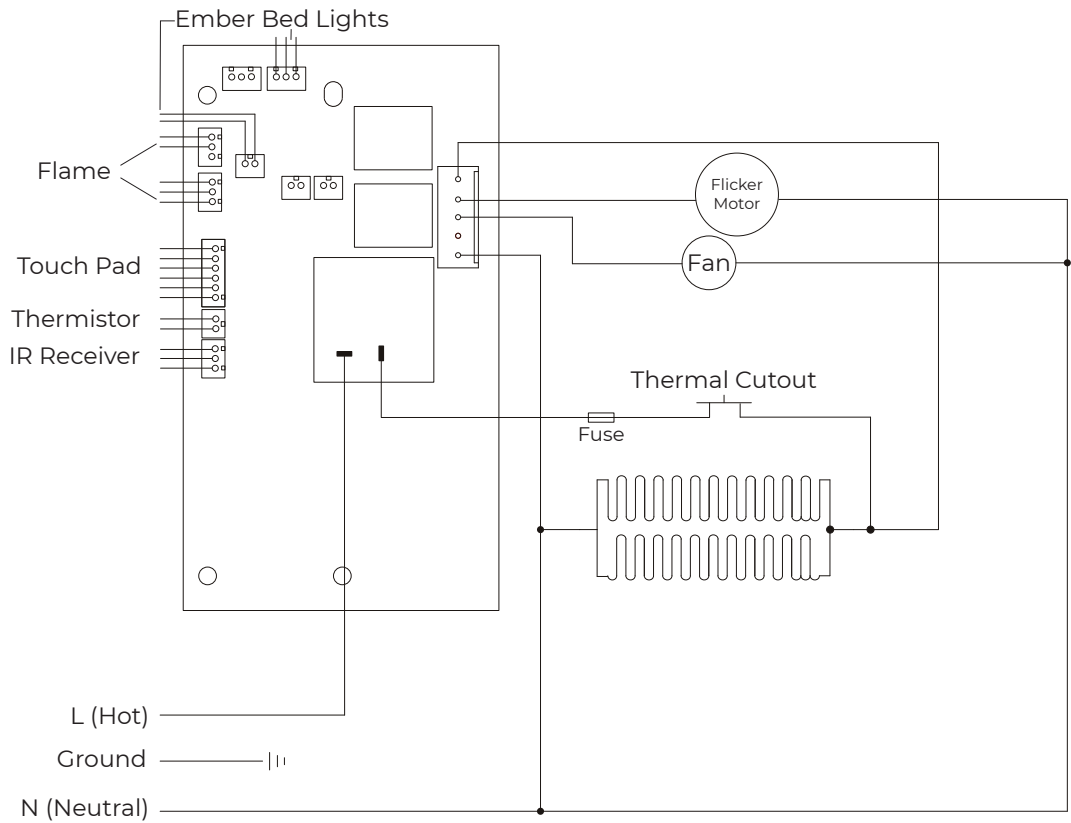


Wiring Diagrams

SIL60 SIL72



SIL96



Replacement Part Procedures

Preparing the Firebox for Service

⚠ WARNING: If the the fireplace was operating prior to servicing, allow at least 10 minutes for the heating elements to cool off to avoid accidental burning of skin.

⚠ WARNING: Disconnect power before attempting any maintenance to reduce the risk of electric shock or injury to persons.

Tools Required: Phillips Head Screwdriver

1. Unplug the unit.
2. Undo the latch at the top and unhook the front glass to remove it (**Figure 1**).
3. Remove the logs, rocks, or glass chunks and put them in a safe place.
4. If the unit is mounted to the wall, remove the two screws that secure the wall mounting bracket. (**Figure 2**)
5. Place fireplace on a work surface.
6. Remove the screws that secure the back panel. The number of screws will vary depending on the size of the fireplace. Put the back panel aside (**Figure 3**).
7. Remove the 2 screws on each side of the top panel. Unplug the connector from the main control board, and put the top panel aside (**Figure 4**).

Figure 1

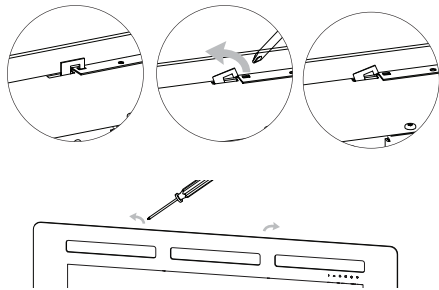


Figure 3

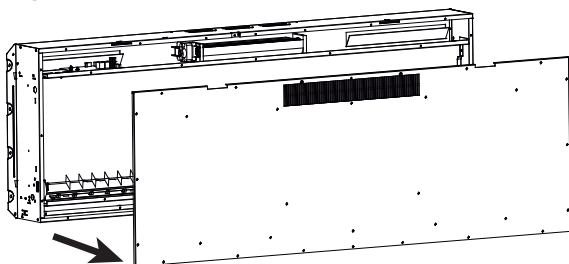


Figure 2

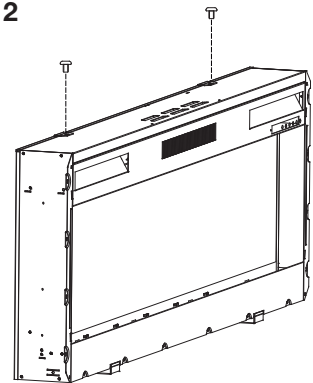
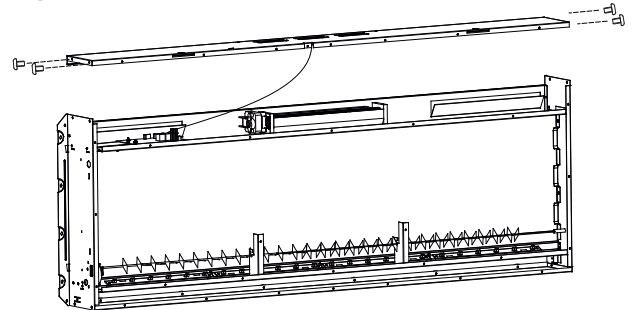


Figure 4



Heater Assembly Replacement

Tools Required: Phillips Head Screwdriver
Side Cutters
Pliers

1. Follow the steps of “Preparing for Service” on page 6 of this manual before continuing.
2. Using pliers, disconnect the wires from the main control board, making note of their original locations.
3. Remove the screws on the main control board (**Figure 5**). For units with arrowhead standoffs, pinch each of the two standoffs, one at a time, while lifting the board to release it (**Figure 6**).
4. Put the new main control board in place, and secure with the screws / standoffs.
5. Connect the wires to the new board, following the picture previously taken.
6. Reassemble the fireplace by reinstalling the top panel, followed by the back panel.

Figure 5

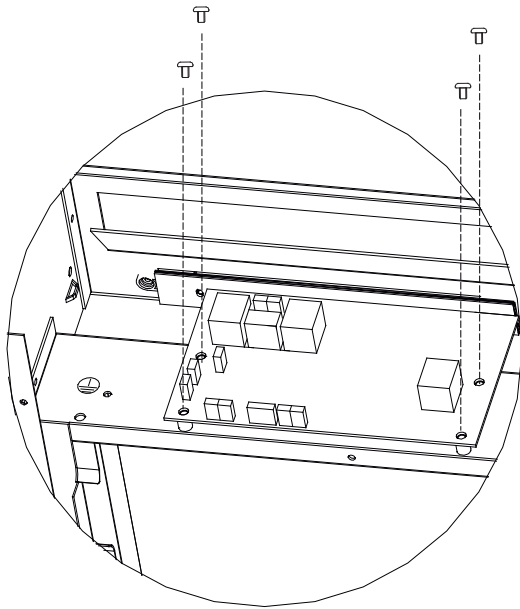
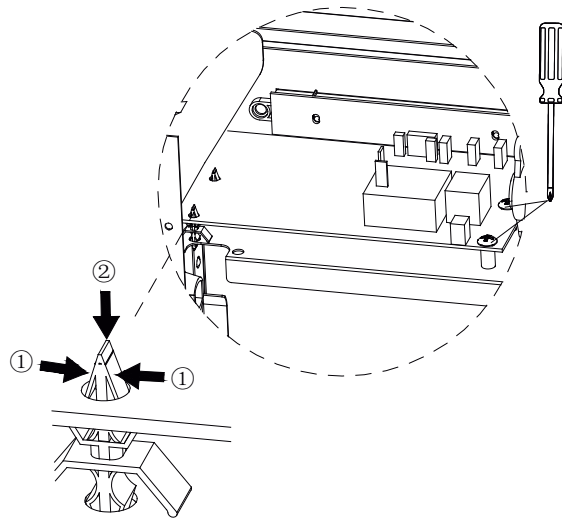


Figure 6

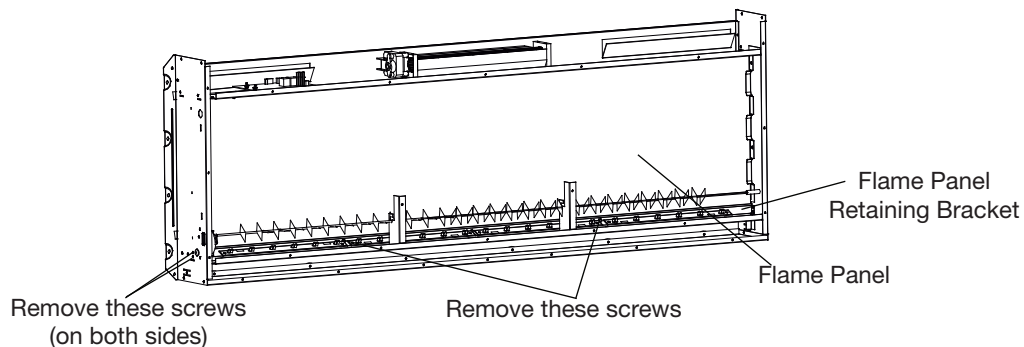


Touch Pad Replacement

Tools Required: Phillips Head Screwdriver
Side Cutters (to cut wire ties)

1. Follow the steps of “Preparing for Service” on page 6 of this manual before continuing.
2. Remove the screws that hold the flame panel retaining bracket (**Figure 7**).
3. Flex the flame panel carefully to remove it.
4. Remove the two screws that secure the main board (you can leave the standoffs connected) in order to access the screw underneath.
5. Remove the screws that hold the touch pad bracket.
6. Trace the wires from the touch pad to the main control board. Disconnect them, while making note of their original locations.
7. Put the screwdriver in the guide holes on the touch pad bracket to unscrew the touchpad. There are two small screws to remove.
8. Place the new touchpad in the bracket, ensuring that the components go into the corresponding spaces. Screw it into place with the previously removed screws.
9. Secure the touch pad bracket into place, as well as the main board.
10. Put the flame panel back into place, making sure that the screw holes are oriented toward the bottom, and that it is inserted into the slots at the top.
11. Secure the flame panel retaining bracket.
12. Reassemble the fireplace by reinstalling the top panel, followed by the back panel.

Figure 7



Flicker Motor Replacement

Tools Required: Phillips Head Screwdriver
Wire Cutter/Stripper

1. Follow steps 1-6 of "Preparing for Service" on page 6 of this manual before continuing.
2. Remove the flicker rod by first taking it out from the middle brackets, then pulling it from the side opposite the flicker motor, and finally pulling it away from the flicker motor (**Figure 8**).
3. Remove the two screws that hold the flicker motor bracket to the firebox (**Figure 9**).
4. Using a wire cutting tool, cut off the factory-installed wire connectors.
5. Using a wire stripping tool, strip the purple and white wires approximately 13 mm (1/2").
6. Using the twist-on wire connectors, connect the white wire from the flicker motor to the white wire from the firebox, and the black white from the flicker motor to the purple wire from the firebox (**Figure 10**).
7. Install the flicker motor on the bracket.
8. Secure the bracket to the fireplace.
9. Reassemble the fireplace by reinstalling the top panel, followed by the back panel.

Figure 8

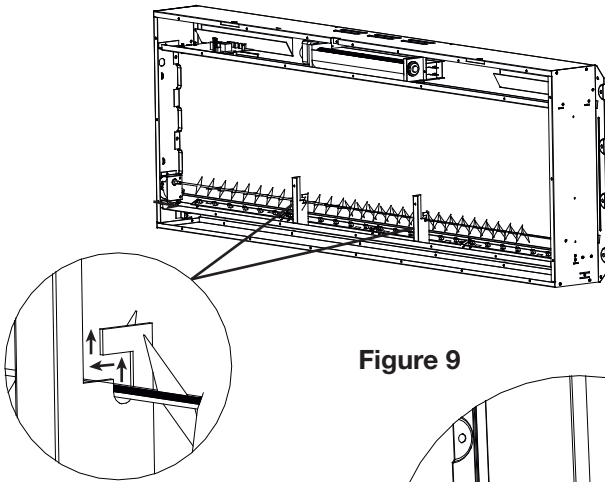


Figure 9

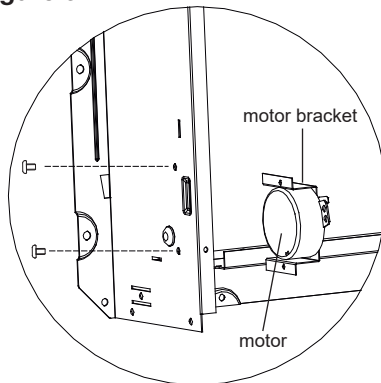
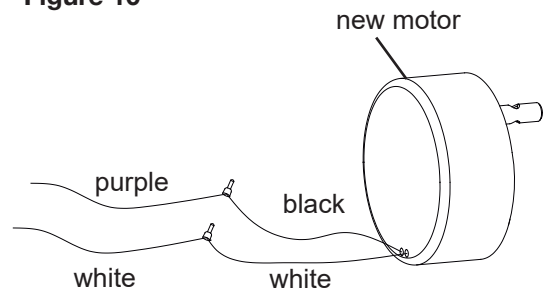


Figure 10

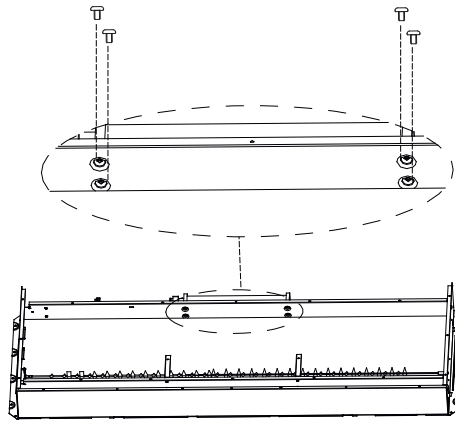


Heater Assembly Replacement

Tools Required: Phillips Head Screwdriver
Pliers
Side Cutters
Wire Cutter/Stripper

1. Follow the steps of “Preparing for Service” on page 6 of this manual before continuing.
2. Disconnect the wires from the heater assembly, making note of their original locations. Snip the zip ties as needed. For the connections that are made with wire nuts that cannot be screwed off, cut them off using wire cutters.
3. Remove the 4 screws that secure the heater assembly to the top panel (**Figure 11**).
4. Install the new heater assembly using the four screws previously removed.
5. Connect the wires to the new heater assembly, using the picture you took before as a guide.
6. Strip the wires that were cut using wire strippers. Connect them in their original location using the provided wire nuts, ensuring a strong enough connection that individual wires cannot be pulled out from the wire nut. Use the provided zip ties to secure them out of the way of other components.
7. Reassemble the fireplace by reinstalling the top panel, followed by the back panel.

Figure 11



Flame LED Replacement

Tools Required: Phillips Head Screwdriver

1. Follow steps 1-6 of “Preparing for Service” on page 6 of this manual before continuing.
2. Remove the screws that secure the flame LED strip to the firebox.
3. Unplug the connectors from the LED strips on the left.
4. Properly orient and install the new LED strips. Connect the wires.
5. Install the back panel.

Color LED Replacement

Tools Required: Phillips Head Screwdriver

1. Follow steps 1-5 of “Preparing for Service” on page 6 of this manual before continuing.
2. Unscrew the two posts that secure the media tray.
3. Carefully remove the media tray. There may be some resistance as there is tape holding it.
4. Remove the screws that secure the LED strips to the firebox.
5. Peel off the silicone on the connectors to the far right, and unplug them.
! NOTE: The silicone is only necessary during transportation of the product, and does not need to be replaced.
6. Secure the LED strip using the screws previously removed and plug in the connectors.
7. Secure the media tray.

Temperature Sensor (NTC) Replacement

Tools Required: Phillips Head Screwdriver

1. Follow the steps 1-6 of “Preparing for Service” on page 6 of this manual before continuing.
2. Disconnect the wire from the temperature sensor (on the top panel) to the main control board.
3. Remove the screw that secures the temperature sensor to the top panel.
4. Properly orient and install the new temperature sensor.
5. Use the provided zip tie to keep the wire away from the heater assembly.
6. Connect the wire from the new temperature sensor to the main board.
7. Reassemble the fireplace by reinstalling the top panel, followed by the back panel.

Troubleshooting

Problem	Cause	Solution
Unit will not turn on	No incoming power	Ensure unit is plugged directly into electrical outlet and ensure there is power.
	Defective main control board	Replace main control board
	Defective touch pad	Replace touch pad
Remote is not working	Batteries are dead	Replace batteries. Refer to maintenance section.
	Defective remote control	Replace remote control.
	Defective IR sensor.	Replace touch pad.
Heater		
Heater shuts off on its own; cutout is engaged	Dirt and debris are preventing the unit from working properly	Clean the air vents and the heater assembly with compressed air
	Defective heater assembly	Replace heater assembly
Heater is not turning on and ember bed is flashing	Heat is deactivated	While the unit is on, press and hold the Heat button for 10 seconds until the heat turns on.
Heat is not turning on	Improper operation	Ensure heat button is pressed and set temperature is above ambient temperature
	Defective main control board	Replace main control board
Appearance		
Display shows E2	Defective temperature sensor	Replace temperature sensor
Display shows E3	Defective heater assembly	Replace heater assembly
Flame is not visible	Flames are turned off	Ensure flame is on. Press Flame button to toggle through different display modes.
	Defective flame LEDs	Replace flame LEDs
Flame is frozen	Defective flicker motor	Replace flicker motor
Media bed does not light up	Defective media LEDs	Replace media LEDs
Noise		
Unit is noisy when the heat is on	Defective heater assembly	Replace heater assembly
Unit is noisy when the flame is on	Defective flicker motor	Replace flicker motor

1-888-346-7539 | www.dimplex.com

In keeping with our policy of continuous product improvement, we reserve the right to make changes without notice.

© 2021 Glen Dimplex Americas

 **A BRAND OF GLEN DIMPLEX AMERICAS**

Revision	Date
00	18-Oct-19
01	23-Aug-21