



High output
fan-forced
heater (CST)

Fan-forced
heater (CS)



Thank you for your purchase! Question or problem? Let us solve it with a single phone call, email or online chat! We'll save you a trip back to the store!

Customer Service:

Phone: 888-346-7539 (from US or Canada)

Email: cs@glendimplexamericas.com

Assembled in USA
gdaheat.com

GlenDimplex 
AMERICAS

IMPORTANT INSTRUCTIONS

⚠ When using electrical appliances, basic precautions should always be followed to reduce the risk of fire, electric shock, and injury to persons, including the following:

1. Read all instructions before installing or using this heater.
2. This heater is hot when in use. To avoid burns, do not let bare skin touch hot surfaces. Keep combustible materials, such as furniture, pillows, bedding, papers, clothes, etc. and curtains at least 3 feet (0.9 meters) from the front of the heater and keep them away from the sides.
3. Extreme caution is necessary when any heater is used by or near children or invalids and whenever the heater is left operating and unattended.
4. Do not operate any heater after it malfunctions. Disconnect power at service panel and have heater inspected by a reputable electrician before reusing.
5. Do not use outdoors.
6. To disconnect heater, turn control(s) to off, and turn off power to heater circuit at main disconnect panel.
7. Do not insert or allow foreign objects to enter any ventilation or exhaust opening as this may cause an electric shock or fire, or damage the heater.
8. To prevent a possible fire, do not block air intakes or exhaust in any manner.
9. A heater has hot and arcing or sparking parts inside. Do not use it in areas where gasoline, paint, or flammable vapors or liquids are used or stored.
10. Use this heater only as described in this manual. Any other use not recommended by the manufacturer may cause fire, electric shock, or injury to persons.
11. This heater must be installed in a fixed, permanent location.

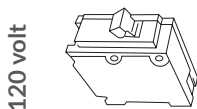
SAVE THESE INSTRUCTIONS

⚠ KNOW YOUR VOLTAGE! ⚠

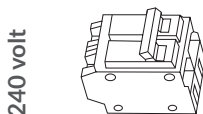
If you are uncomfortable working with electricity, running electrical supply wire or installing a circuit breaker, please consult a licensed electrician. Make sure power to the heater is turned off at the main disconnect panel whenever doing any work on a heater. Serious injury or electrocution can result from electric shock.

- **CHECK YOUR BREAKER!** If you're replacing an existing heater, check the labels of the old heater and use the same voltage.

single-pole breaker



double-pole breaker



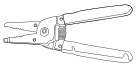
WARNING: Connecting a heater to a voltage higher than what's listed on its rating label will destroy the heater and could start a fire. A heater will not heat properly when connected to a voltage lower than what's listed on its rating label.

Unanswered questions? Call our technical support **888-346-7539**.

INSTALLATION INSTRUCTIONS

- All electrical work and materials must comply with the National Electric Code (NEC), the Occupational Safety and Health Act (OSHA), and all state and local codes. Canadian installations must comply with Codes Canada and provincial codes.
- Use copper conductors only.
- DO NOT install the heater directly above bathtub or sink. DO NOT install in shower stall area. Manufacturer recommends installing your heater at least 2 feet (61 cm) away to prevent contact with water.
- Heater must be connected to a GFCI protected branch circuit when installed in a bathroom.
- Heater must be installed in a wall can:
 - Model CS - wall can models CC or CCSM
 - Model CST - wall can model CTC (WC1)
- DO NOT install the heater in a floor, below a towel bar, behind a door, or anywhere the air discharge may be blocked in any manner.
- To reduce the risk of fire, do not store or use gasoline or other flammable vapors and liquids in the vicinity of the heater.
- Connect grounding lead to grounding screw provided. Keep all foreign objects out of heater.
- Electric heaters must be installed on a circuit dedicated to electric heaters, they cannot share a circuit with outlets, lights, or other appliances.

TOOLS REQUIRED



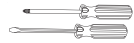
Wire Strippers



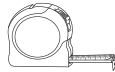
Wire Connectors



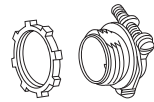
1½" Wood Screws

Straight and Phillips
Screwdrivers

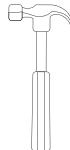
Drill and Drill Bits



Tape Measure

½" Cable Clamp
Connector

Volt Meter



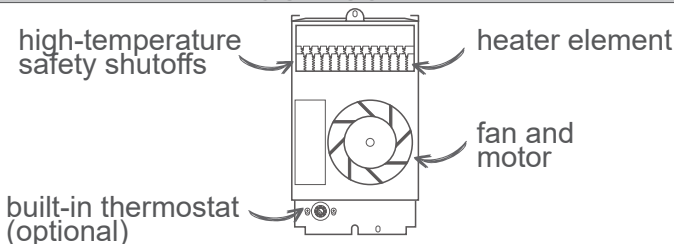
Hammer



Stud Finder

A multi-purpose tool or something to cut your existing drywall or gypsum board.

PARTS OF YOUR HEATER



INSTALLATION INSTRUCTIONS

TIPS BEFORE YOU BEGIN

- **Verify power has been turned off before starting any work!**
- **Model CS** can be mounted with the element up, or with the element on the left. For ceiling installation, see page 5. For multiple heater wiring, see page 6. All the fan-forced heaters have a minimum clearance of 10" (25.4 cm) from the ceiling and 4' (1.2 m) from sprinkler heads.
- **Model CST** can only be mounted with the elements up. It cannot be mounted in the ceiling.
- For cleaner performance and longer heater life, install your heater 12 inches (30.5 cm) from the floor.
- All models can be installed to be Americans with Disabilities Act (ADA) compliant. Check your state and local requirements.
- A thermostat is required for models that do not come with a built-in thermostat. An electronic wall thermostat is recommended for ultimate comfort and energy savings.
- The wall can label arrows show the correct mounting orientation (arrows must point up).

STEP 1 Cut a hole in the wall next to a wall stud

If you haven't installed drywall yet, skip this step.

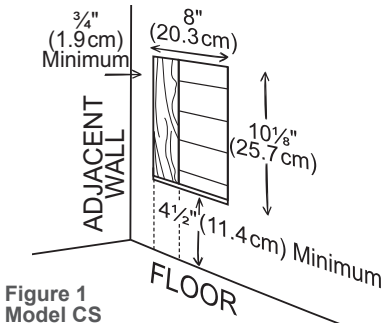


Figure 1
Model CS

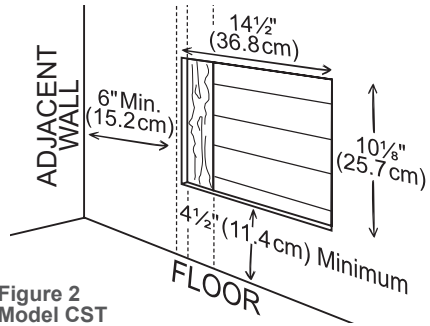


Figure 2
Model CST

STEP 2 Locate or route electrical supply wires

If you're wiring a wall thermostat, route the electrical supply wire from the circuit breaker to the wall thermostat, and then to the heater location. If your heater has a built-in thermostat, route the electrical supply wire from the circuit breaker directly to the heater location.

Remove a knockout from the wall can and attach the supply wire with a cable clamp connector (not included) leaving a minimum of 6 inches wire lead (See Figure 3).

STEP 3 Mount the wall can

If you haven't installed drywall yet, make sure the front of the wall can extends beyond the front edge of the wall stud to match the drywall depth (Figure 3).

If you already have drywall installed, place the can into the cutout so the front is flush with the drywall.

Fasten the wall can to the stud with 2 screws (Model CS) or 4 screws (Model CST) (not included), through holes provided in the wall can (Figure 3). As an option on model CS, the foam pad provided may be attached to the side of the wall can to square the wall can to the stud (See Figure 3).

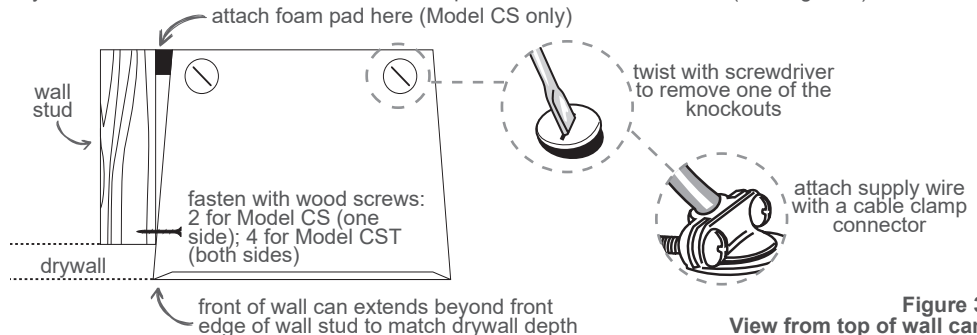


Figure 3
View from top of wall can

INSTALLATION INSTRUCTIONS

INSERT THE HEATER ASSEMBLY IN THE WALL CAN

STEP 4 Wire connections

- Your heater has two connection wires on the back. Your supply wire has two connection wires and a supply ground wire.

A. Connect supply ground wire to grounding screw in wall can (See Figure 4 or 5).

B. Connect one supply wire to one heater wire with a wire connector (not included):

For 240 or 208 volts, it doesn't matter which heater wire. Both supply wires (black and white) are hot. Wrap supply (white) wire with black tape to identify it as hot (Figure 4).

For 120 volts, connect the neutral (white) supply wire to the white heater wire (Figure 5).

C. Connect the remaining supply wire to the remaining heater wire with a wire connector (not included) (See Figure 4 or 5).

- Turn the heater back around and insert the bottom edge of the heater assembly into the D-shaped tabs at the bottom of the wall can.
- Push all wires back into the bottom of the wall can. Make sure connections are tight and that none of the wires are caught between the motor and the wall can.
- Attach the heater assembly at top of the wall can with screw provided.

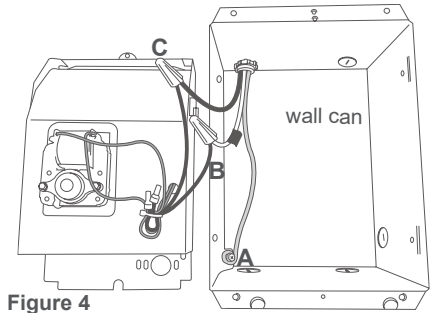


Figure 4
240 volt

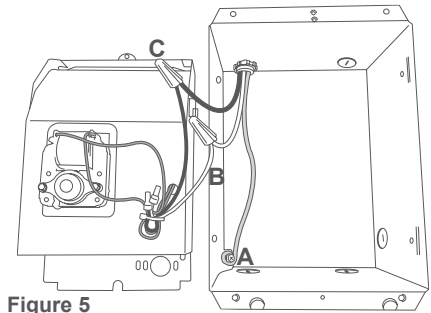


Figure 5
120 volt

STEP 5 Install Grill

Attach grill with screws provided. If you have a built-in thermostat, slide thermostat knob onto shaft. If you have a model without a thermostat, snap in the grill plug provided.

Turn power on at the main disconnect panel.

Proceed to OPERATING INSTRUCTIONS.

CEILING MOUNT (MODEL CS ONLY)

STEP 1 Mount The Wall Can

Important:

- Only for Model CS up to 1,500 Watts – **MAXIMUM.**
- Do not mount the heater in low density fiberboard or false ceilings.
- Models with a built-in thermostat are not recommended.

Fasten the wall can to ceiling rafters on any two sides (See Figure 6) with a minimum of 4 screws (not included). You may need to install an additional rafter perpendicular to your ceiling rafters. The front edge of the wall can must extend beyond the front edge of the ceiling rafter(s) to match the drywall depth.

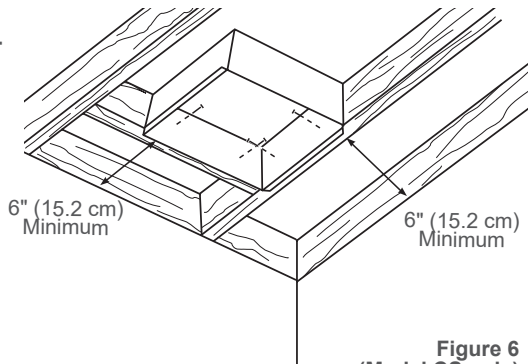


Figure 6
(Model CS only)

STEP 2 Route Supply Wires

Important: Supply connections must use wires suitable for at least 167°F (75°C) in the ceiling.

Route the electrical supply wire from the circuit breaker to the wall thermostat, and then to the wall can. Remove a knockout from the wall can and attach the supply wire with a cable clamp connector (not included) leaving a minimum of 6 inches wire lead (See Figure 3).

Continue to STEPS 4 and 5 above.

INSTALLATION INSTRUCTIONS

MULTIPLE HEATERS WITH ONE THERMOSTAT (MODEL CS ONLY)

More than one heater can be wired in parallel on the same circuit breaker (be sure to check national and local codes for safety requirements). Additional electrical supply wire and cable clamp connectors are required, and you'll need to use a wall thermostat. When wiring multiple heaters to one thermostat, the heaters must be in the same room and be spaced a minimum of three feet apart.

The maximum amperage load you can put on one circuit breaker is limited to either 80% of the circuit breaker capacity, or the maximum amperage rating of the thermostat, **whichever is lower**.

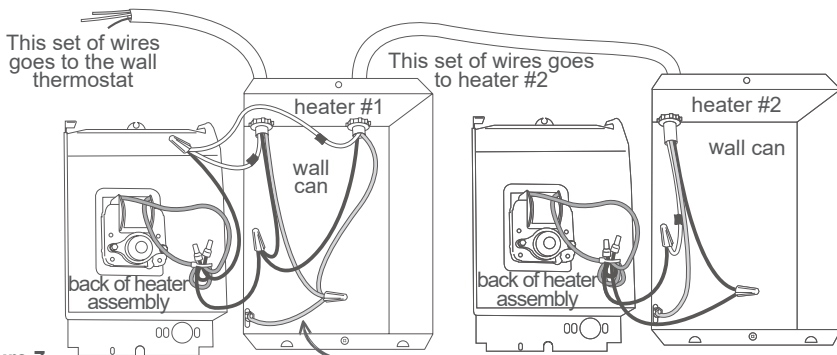


Figure 7

additional ground wire is used here to make the 3-wire connection

1. Route the electrical supply wire from the circuit breaker to the wall thermostat. At the wall can of heater #1, attach two sets of electrical supply wires with two cable clamp connectors (not included), leaving a minimum of 6 inches wire lead. One set of electrical supply wire goes to the wall thermostat and the other set goes to heater #2 (See Figure 7).
2. There are two supply ground wires in the wall can of heater #1. You'll need to add a small piece of copper wire (not included) to make the 3-wire connection with the ground screw (See Figure 7).
3. For heater #1, connect each heater wire to one of the supply wires going to the thermostat, and to one of the supply wires going to the heater #2. Both wires from heater #1 must have a 3-wire connection.
4. For heater #2, make the connections in the wall can as shown in Figure 7 above. Proceed with STEP 4 Wire connections, number 2 on page 5.
5. Turn power back on at the main disconnect panel.
6. Proceed to OPERATING INSTRUCTIONS.

WARRANTY

For more effective and safer operation and to prolong the life of the heater, read the Owner's Guide and follow the instructions. Failure to properly maintain the heater will void any warranty and may cause the heater to function improperly.

LIMITED TWO YEAR WARRANTY: Manufacturer will repair or replace any Fan-forced (CS) or High-output Fan-forced (CST) heater found to be defective within two years after the date of purchase.

These warranties do not apply:

1. Damage occurs to the product through improper installation or incorrect supply voltage;
2. Damage occurs to the product through improper maintenance, misuse, abuse, accident, or alteration;
3. The use of unauthorized accessories or unauthorized components constitutes an alteration and voids all warranties. Refer to website or call customer service at 888-346-7539 for list of authorized accessories and components.

4. Manufacturer's warranty is limited to repair or replacement.

5. In the event Manufacturer elects to replace any part of your product, the replacement parts are subject to the same warranties as the product. The installation of replacement parts does not modify or extend the underlying warranties. Replacement or repair of any product or part does not create any new warranties.

If you believe your product is defective, please contact Manufacturer during the warranty period, for instructions on how to have the repair or replacement processed.

Parts and Service

Visit gdaheat.com/parts for information on where to obtain parts and service.

To register your product, visit gdaheat.com/register

OPERATING INSTRUCTIONS

1. Make sure all wires are properly connected and installation is complete before you turn on the heater.
2. Do not operate without grill.
3. Do not tamper with the high-temperature safety shutoff.

Complete installation

After installation, turn your heater to the highest setting and let it run for 30 minutes. Some smoking may occur as the element initially burns off residue from manufacturing.

If your heater shows signs of overheating, such as glowing red or repeatedly getting unusually hot and shutting off, immediately turn off the circuit breaker and review the "KNOW YOUR VOLTAGE" section or call us.

If the high-temperature safety shutoff trips more than once a day, replace the heater.

How to operate your heater

The room temperature is controlled by a thermostat located either on the wall, or on the heater. Once installation is complete and power is on, follow the steps below for your thermostat.

If you have a wall or built-in thermostat with a knob:

1. Turn the thermostat knob all the way to the right.
2. When the room reaches your comfort level, turn the knob to the left, just until it clicks and the heater turns off. The heater will automatically keep the room temperature around this setting.
3. To reduce the room temperature, turn the knob to the left. To increase the room temperature, turn the knob to the right.

If you have an electronic wall thermostat, follow the instructions in the programming and operating guide included with your thermostat.

More frequently asked questions on our website here: gdaheat.com/FAQ



Reduce-Reuse-Recycle

This product is made primarily of recyclable materials. You can reduce your carbon footprint by recycling this product at the end of its useful life. Contact your local recycling support center for further recycling instructions.

MAINTAINING YOUR HEATER

Clean heater at least every 6 months or as required. Do not lubricate motor.

WARNING: Risk of electrical shock, turn off power before removing grill.

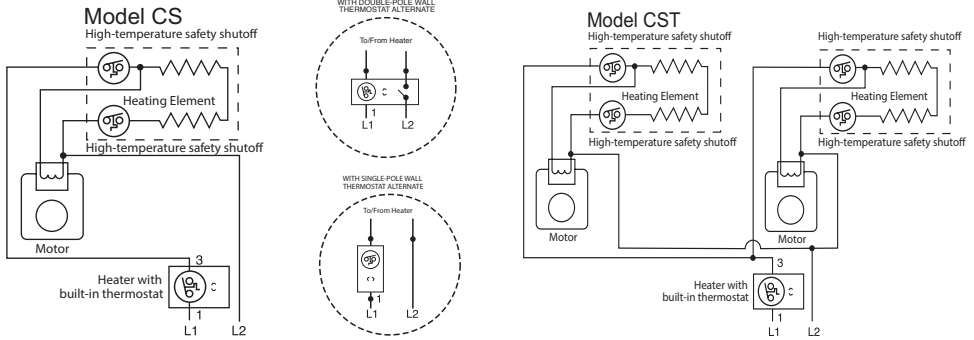
1. Turn off power at the main disconnect panel.
2. Wait for the heater to cool.
3. Remove thermostat knob (if any) and grill.
4. Wash grill with hot soapy water and dry.
5. Blow air through the heating element with a hair dryer or shop vacuum on blow cycle.
6. Clean the fan with a vacuum cleaner.
7. Replace grill and thermostat knob (if any).
8. Turn power back on at the main disconnect panel.

Any service other than cleaning should be performed by an authorized service representative.

High-temperature safety shutoff

All CS and CST fan-forced heaters come with built-in high-temperature safety shutoffs that stop electricity flowing to the heater if it gets too hot inside. See TROUBLESHOOTING below if you're experiencing problems with your heater.

INTERNAL HEATER WIRING DIAGRAMS



TROUBLESHOOTING

Symptom	Problem	Solution
Heater doesn't work at all.	<ol style="list-style-type: none"> 1. Supply connections are loose. 2. Heater has tripped one of its high-temperature safety shutoffs. 3. Heater has tripped its secondary high-temperature safety shutoff. 4. Supply circuit is faulty. 	<ol style="list-style-type: none"> 1. Turn off power at main disconnect panel. Inspect and/or tighten all the wire connectors inside the heater and at any connection points inside junction boxes or at the wall thermostat. 2. TO RESET: Turn power off at main disconnect panel. Allow 20 minutes to cool. Make sure heater is not blocked and is clean. Restore power. If the high-temperature safety shutoff trips more than once a day, replace the heater. 3. Replace heater. 4. Call a licensed electrician.
Circuit breaker trips immediately after installing heater.	<ol style="list-style-type: none"> 1. A short circuit exists in the electrical supply wires or heater wiring. 2. Circuit breaker and heater are not the same voltage. 3. Circuit is overloaded. 4. Supply circuit is faulty. 	<ol style="list-style-type: none"> 1. An incorrect connection in the heater or electrical supply wires may cause sparking or arcing. Inspect all heater and electrical supply wiring insulation for damage or call an electrician. 2. Double check the voltage of the heater to make sure it matches the voltage of the circuit. Replace heater with a model that is 240 volts. 3. Use a lower wattage heater, or reduce the number of heaters on the circuit. 4. Call a licensed electrician.
Heater blows cold air or doesn't get hot.	<ol style="list-style-type: none"> 1. Element has failed. 2. Only one side heats and the other side has tripped one of its high-temperature safety shutoffs (Model CST only). 	<ol style="list-style-type: none"> 1. Replace heater. 2. TO RESET: Turn power off at main disconnect panel. Allow 20 minutes to cool. Make sure heater is not blocked and is clean. Restore power. If the high-temperature safety shutoff trips more than once a day, replace the heater.
Heater smells after installation or not being used.	<ol style="list-style-type: none"> 1. Odor from element manufacturing process. 2. Dust or lint inside the heater. 3. Supply connections are loose. 	<ol style="list-style-type: none"> 1. In a new installation, some smoking may occur as the element initially burns off residue from manufacturing. It typically goes away within several hours. 2. Clean heater (see "MAINTAINING YOUR HEATER" on page 7 for instructions). 3. Turn off power at main disconnect panel. Inspect and/or tighten all the wire connectors inside the heater and at any connection points inside junction boxes or at the wall thermostat.
Fan/motor doesn't spin or spins slow.	<ol style="list-style-type: none"> 1. Circuit breaker is 120 volts and heater is 240 volts. 2. Defective motor or motor out of alignment. 	<ol style="list-style-type: none"> 1. Double check the voltage of the heater to make sure it matches the voltage of the circuit. Replace heater with a model that is 120 volts. 2. Replace motor.
Heater doesn't turn off.	<ol style="list-style-type: none"> 1. Thermostat is defective. 2. No thermostat hooked up to control heater. 3. Incorrect heater wattage for room size. 	<ol style="list-style-type: none"> 1. Replace thermostat. 2. A thermostat is required for all fan heaters. Purchase a built-in or wall thermostat for your heater. 3. Install higher wattage model or additional heaters if circuit allows.

If you are uncomfortable working with electricity, running electrical supply wire or installing a circuit breaker, please consult a licensed electrician.



Aéroconvecteur à haut rendement (CST)

Aéroconvecteur (CS)



Merci pour votre achat! Question ou problème? Nous avons la solution: communiquez avec nous par téléphone ou courriel! Nous vous éviterons un retour au magasin!

Service à la clientèle

Téléphone : **888.346.7539** (États-Unis et Canada)

Courriel : cs@glendimplexamericas.com

INSTRUCTIONS IMPORTANTES

⚠ Lorsque'un appareil électrique est utilisé, il est important de toujours prendre des précautions de base pour réduire les risques d'incendie, de décharges électriques et de blessures, notamment:

1. Lisez toutes les instructions avant d'installer ou utiliser ce radiateur.
2. Le radiateur est chaud lorsqu'il est en usage. Évitez tout contact de la peau nue avec les surfaces chaudes pour ne pas risquer d'être brûlé. Gardez les matériaux combustibles comme les pièces de mobilier, les oreillers, de la literie, des papiers, des vêtements, etc., et des rideaux au moins 3 pieds (0.9 mètres) du front du radiateur et tenez les loin des deux côtes.
3. Soyez extrêmement prudents lorsque le radiateur est utilisé par ou près d'enfants ou d'invalides, ou chaque fois qu'il fonctionne sans surveillance.
4. N'utilisez pas le radiateur après un fonctionnement défectueux. Débranchez la source de courant et appelez un électricien qualifié avant de recommencer à l'utiliser.
5. N'utilisez pas le radiateur au dehors.
6. Pour débrancher le radiateur, faites arrêter les commandes et l'alimentation électrique du circuit dans le panneau central.
7. Ne pas introduire ou permettre la présence d'objets étrangers dans le système de ventilation ou le tuyau d'échappement afin d'éviter des chocs électriques ou du feu, ou endommager le radiateur.
8. Afin de prévenir le risque de feu, ne pas bloquer les conduits d'aération ou le tuyau d'échappement d'aucune manière.
9. L'intérieur d'un radiateur comporte des pièces chaudes ainsi que des pièces produisant des arcs électriques. C'est pourquoi, ne l'utilisez pas dans des endroits où de l'essence, de la peinture, des vapeurs ou liquides inflammables sont utilisés ou entreposés.
10. Utilisez ce radiateur uniquement forme aux instructions y comprises, sinon du feu, des chocs électriques ou des blessures peuvent se produire.
11. Cet appareil de chauffage doit être installé et fixé de façon permanente à l'endroit désiré.

CONSERVEZ CES INSTRUCTIONS

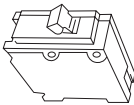
⚠ PRÊTER ATTENTION À LA TENSION! ⚠

Si vous n'êtes pas familier avec les installations électriques ou avec l'installation d'un câble d'alimentation électrique ou d'un disjoncteur, veuillez faire appel à un maître électricien. S'assurer de couper l'alimentation électrique de l'appareil au panneau principal avant d'effectuer des travaux. Autrement, des blessures graves ou des décharges électriques risquent de se produire.

- **VÉRIFIER LE DISJONCTEUR!** Dans le cas du remplacement d'un appareil de chauffage existant, vérifier la plaque signalétique de l'appareil de chauffage remplacé et utiliser un appareil de rechange de même tension.

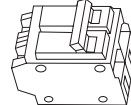
disjoncteur unipolaire

120 volts



disjoncteur bipolaire

240 volts



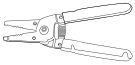
AVERTISSEMENT: La connexion d'un appareil de chauffage à une tension d'alimentation supérieure à celle indiquée sur la plaque signalétique entraînera la perte de l'appareil de chauffage et pourrait provoquer un incendie. Un appareil de chauffage ne fonctionnera pas correctement s'il est raccordé à une tension d'alimentation inférieure à celle indiquée sur la plaque signalétique.

Questions sans réponse? Communiquer avec notre équipe de soutien technique au **888.346.7539**.

MODE D'INSTALLATION

1. Tous les branchements et matériaux électriques doivent être conformes aux normes du NEC (National Electric Code), de l'OSHA (Occupational Safety and Health Act) et à tous les codes provinciaux et locaux. Les installations canadiennes doivent respecter les normes de Codes Canada ainsi que les codes provinciaux.
2. N'utilisez que des conducteurs en cuivre.
3. **N'INSTALLEZ PAS** le radiateur directement au-dessus de la baignoire ou de l'évier. **N'INSTALLEZ PAS** dans l'endroit de la douche. Il est recommandé d'installer votre appareil de chauffage à au moins 2 pi (61 cm) de toute source d'eau.
4. L'appareil de chauffage doit être connecté à un circuit de dérivation protégé par un disjoncteur de fuite de terre lorsqu'il est installé dans une salle de bain.
5. L'appareil de chauffage doit être installé dans un boîtier mural:
Modèle CS-boîtier mural CC ou CCSM
Modèle CST-boîtier mural CTC (WC1)
6. **N'INSTALLEZ PAS** le radiateur dans le sol, derrière une barre de serviette, derrière une porte, ou dans un endroit où l'air peut être bloqué n'importe comment.
7. Pour réduire le risque d'incendie, évitez l'entreposage ou l'utilisation de l'essence ou autres vapeurs ou liquides inflammables près de radiateur.
8. Branchez le câble terre sur la vis terre fournie. Ne laissez aucun corps étranger pénétrer dans le radiateur.
9. Les appareils de chauffage électriques doivent être installés sur un circuit spécialisé; ce circuit ne doit pas servir à d'autres dispositifs, comme des prises de courant, des luminaires ou d'autres appareils.

OUTILS REQUIS



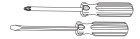
Pincés à dénuder



Capuchons de connexion



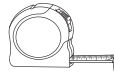
Vis à bois de 1½ po



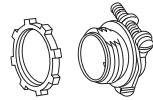
Tournevis à lame plate et à pointe cruciforme



Perceuse et forets



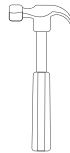
Ruban à mesurer



Serre-câble ½ po



Voltmètre



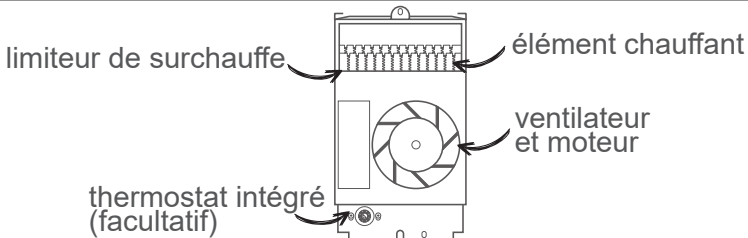
Marteau



Localisateur de montants

Un outil tout usage ou permettant de découper la cloison sèche ou la plaque de plâtre existante.

PIÈCES DE L'APPAREIL DE CHAUFFAGE



MODE D'INSTALLATION

QUELQUES CONSEILS AVANT DE COMMENCER

- **S'assurer de couper le courant avant de commencer les travaux!**
- CS peut être monté avec l'élément vers le haut ou sur la gauche. Pour l'installation au plafond, voir la page 5. Pour le câblage de plusieurs appareils de chauffage, voir la page 6. Les appareils CS et CST nécessitent un dégagement de 25,4 cm (10 po) du plafond et de 1,2 m (4 pi) des gicleurs.
- Le radiateur CST peut uniquement être monté avec les éléments vers le haut. Il ne peut pas être monté au plafond.
- Pour une performance accrue et une durée de vie prolongée, installer l'appareil de chauffage à 12 pouces (30,5 cm) du sol.
- Tous les modèles peuvent s'accommoder aux exigences de la Loi des Personnes Invalides (ADA Americans with Disabilities Act). Vérifier vos requis locaux ou d'état.
- Un thermostat est nécessaire pour les modèles qui sont livrés sans un thermostat incorporé. Un thermostat mural électronique est recommandé pour assurer du confort et sauver de l'énergie.
- Les flèches sur la boîte murale montrent la direction correcte de l'installation (les flèches sont orientées en haut).

ÉTAPE 1 Découper un trou dans le mur à proximité d'un montant

Si la cloison sèche n'a pas encore été installée, ignorer cette étape.

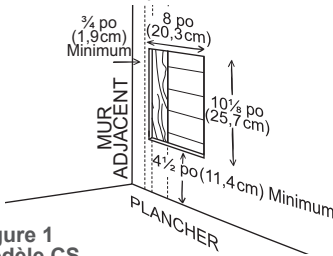


Figure 1
Modèle CS

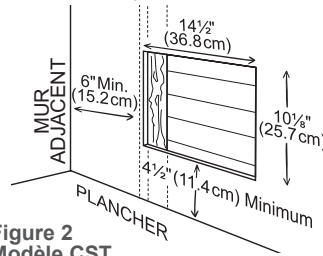


Figure 2
Modèle CST

ÉTAPE 2 Localiser ou acheminer les câbles d'alimentation électrique

Dans le cas du câblage d'un thermostat mural, acheminer un câble d'alimentation électrique du disjoncteur au thermostat mural, puis à l'appareil de chauffage. Dans le cas du câblage d'un appareil de chauffage à thermostat intégré, acheminer un câble d'alimentation électrique du disjoncteur directement à l'appareil de chauffage.

Retirer une alvéole dans le boîtier mural et attacher le câble d'alimentation avec un serre-câble (non fourni) en laissant une longueur de connexion d'au moins 6 po (15,2 cm) (Voir la figure 3).

ÉTAPE 3 Monter le boîtier mural

Si la cloison sèche n'est pas encore installée, placer le boîtier mural de façon à ce qu'il dépasse le bord avant du montant d'une distance équivalente à l'épaisseur de la cloison sèche (voir la figure 3).

Si la cloison sèche est installée, placer le boîtier mural dans la découpe de façon à ce que l'avant affleure la cloison sèche.

Fixer le boîtier mural au montant à l'aide de 2 vis (modèle CS) ou de 4 vis (modèle CST) (non fournies), à travers les trous percés dans le boîtier mural (voir la figure 3). Fourni en option avec le modèle CS, le coussinet de mousse peut être fixé sur le côté du boîtier mural pour que ce dernier soit à angle droit avec le montant.

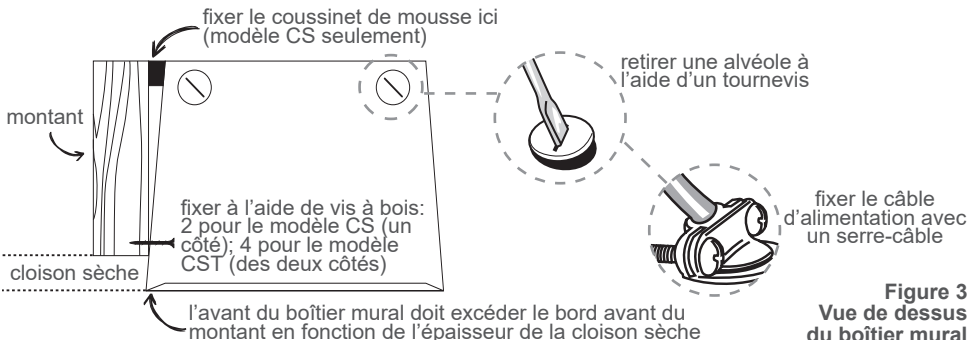


Figure 3
Vue de dessus
du boîtier mural

MODE D'INSTALLATION

INSÉRER L'APPAREIL DE CHAUFFAGE DANS LE BOÎTIER

ÉTAPE 4 Faire la connexion des câbles

1. L'appareil de chauffage comporte deux câbles de connexion à l'arrière. Le câble d'alimentation est composé de deux fils de connexion et d'un fil de terre.

A. Raccorder le fil de terre à la vis de mise à la terre dans le boîtier mural (voir la figure 4 ou 5).

B. Raccorder un fil d'alimentation à un fil de l'appareil de chauffage avec un capuchon de connexion (non inclus).

Dans le cas d'installations 240 ou 208 volts, le choix du fil de l'appareil de chauffage importe peu. Les deux fils d'alimentation (noir et blanc) sont sous tension. Envelopper le fil d'alimentation (blanc) avec du ruban noir pour indiquer qu'il est sous tension (voir la figure 4).

Dans le cas d'une installation 120 volts, raccorder le fil d'alimentation neutre (blanc) au fil blanc de l'appareil de chauffage (voir la figure 5).

C. Raccorder l'autre fil d'alimentation au fil résiduel de l'appareil de chauffage à l'aide d'un capuchon de connexion (non fourni) (voir la figure 4 ou 5).

2. Retourner l'appareil de chauffage et insérer son bord inférieur dans les attaches en forme de D au fond du boîtier mural.

3. Regrouper tous les fils dans le fond du boîtier mural. S'assurer que les raccords sont serrés et qu'aucun des fils n'est coincé entre le moteur et le boîtier mural.

4. Fixer l'appareil de chauffage au haut du boîtier mural à l'aide de la vis fournie.

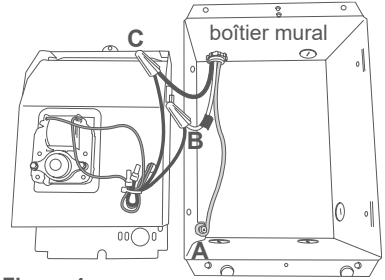


Figure 4
240 volt

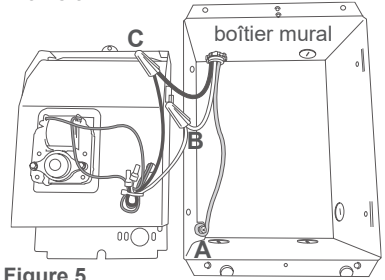


Figure 5
120 volt

ÉTAPE 5 Installer la grille

Fixer la grille à l'aide des vis fournies. Dans le cas d'un modèle à thermostat intégré, glisser le bouton de réglage sur la tige. Dans le cas d'un modèle sans thermostat, fixer le couvercle fourni pour boucher l'ouverture.

Rétablir le courant au panneau électrique principal. Passer au MODE D'EMPLOI.

MONTAGE AU PLAFOND (MODÈLE CS UNIQUEMENT)

ÉTAPE 1 Installer le boîtier mural

Important:

1. Seulement pour le modèle CS – 1500 watts **MAXIMUM.**
2. Ne pas monter l'appareil de chauffage dans un panneau de fibres à faible densité ou des faux plafonds.
3. Il n'est pas recommandé de monter au plafond des modèles munis d'un thermostat intégré.

Fixer deux des côtés du boîtier mural aux solives du plafond (voir la figure 6) à l'aide d'au moins 4 vis (non inclus). L'installation d'un support additionnel perpendiculaire aux solives du plafond pourrait être nécessaire. Le bord avant du boîtier mural doit excéder le bord avant des solives du plafond en fonction de l'épaisseur de la cloison sèche.

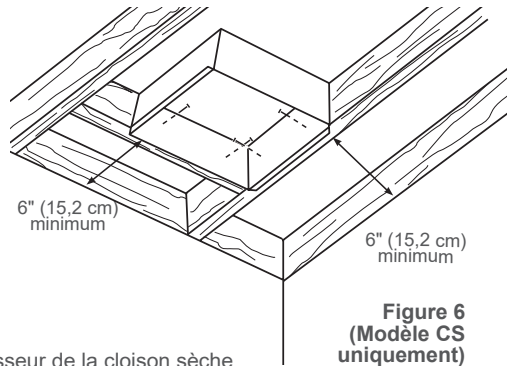


Figure 6
(Modèle CS
uniquement)

STEP 2 Acheminer des fils d'alimentation

Important: Les connexions doivent être exécutées à l'aide de câbles résistant à une température minimale de 167°F (75°C) au plafond.

Acheminer le câble d'alimentation électrique du disjoncteur au thermostat mural, puis au boîtier mural. Retirer une alvéole dans le boîtier mural et attacher le câble d'alimentation avec un serre-câble (non inclus) en laissant une longueur de connexion d'au moins 6 po (15 cm) (voir la figure 3).

Continuer aux ÉTAPES 4 et 5 ci-dessus.

MODE D'INSTALLATION

APPAREILS DE CHAUFFAGE MULTIPLES COMMANDÉS PAR UN SEUL THERMOSTAT (MODÈLE CS UNIQUEMENT)

Plusieurs appareils de chauffage peuvent être raccordés en parallèle sur le même disjoncteur (vérifier les exigences des codes nationaux et locaux en matière de sécurité). Un câble d'alimentation électrique et des serre-câbles supplémentaires sont nécessaires, ainsi que l'utilisation d'un thermostat mural. Pour raccorder plusieurs appareils de chauffage à un seul thermostat, les appareils doivent se trouver dans la même pièce et être espacés d'au moins 3 pi (90 cm) l'un de l'autre.

L'intensité de courant maximale d'un circuit protégé par un disjoncteur est limitée à 80 % de la capacité du disjoncteur ou à l'intensité maximale du thermostat, **selon la valeur la plus faible**.

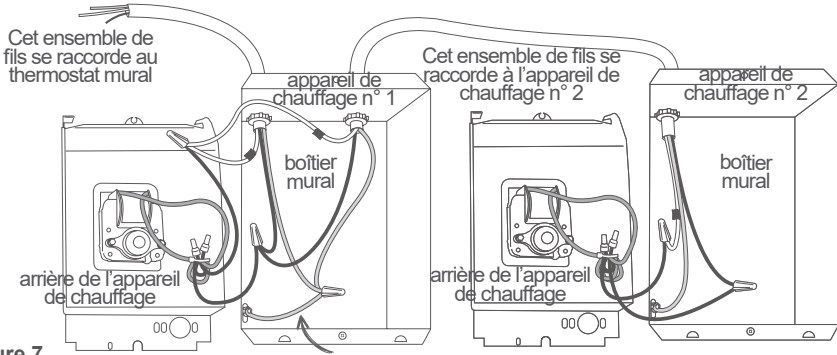


Figure 7

Un fil de terre supplémentaire est utilisé ici pour assurer la connexion à 3 conducteurs

1. Acheminer le câble d'alimentation électrique du disjoncteur au thermostat mural. Au boîtier mural de l'appareil de chauffage n° 1, fixer deux ensembles de fils à l'aide de deux serre-câbles (non inclus), en laissant une longueur de connexion d'au moins 6 pouces (15 cm). Un ensemble de fils se raccorde au thermostat mural et l'autre à l'appareil de chauffage n° 2 (voir la figure 7).
2. Il y a deux fils de terre dans le boîtier mural de l'appareil de chauffage n° 1. L'ajout d'un court fil de cuivre est nécessaire pour assurer la connexion à trois conducteurs avec la vis de terre (voir la figure 7).
3. Dans le cas de l'appareil de chauffage n° 1, raccorder chaque fil de l'appareil à l'un des fils d'alimentation allant au thermostat et à l'un des fils d'alimentation allant à l'appareil de chauffage n° 2. Les deux fils de l'appareil de chauffage n° 1 doivent être connectés à un câble à 3 fils.
4. Dans le cas de l'appareil de chauffage n° 2, procéder au raccordement comme illustré à la figure 7 ci-dessus. Passer à l'ÉTAPE 4, numéro 2, "Faire la connexion des câbles" sur la page 5.
5. Rétablir le courant au panneau électrique principal.
6. Passer au MODE D'EMPLOI.

GARANTIE

Pour assurer un fonctionnement plus efficace et plus sûr, ainsi que pour prolonger la durée de vie de l'appareil de chauffage, lire le Guide d'Utilisation et suivre les instructions. Le défaut d'entretenir l'appareil de chauffage de façon appropriée annulera toute garantie et pourrait provoquer un mauvais fonctionnement de l'appareil.

GARANTIE LIMITÉE DE DEUX ANS: Le fabricant réparera ou remplacera tout aéroconvecteur CS ou CST jugé défectueux dans les deux ans suivant la date d'achat.

Exclusions des garanties:

1. Les dommages causés au produit en raison d'une installation inadéquate ou d'une tension d'alimentation incorrecte;
2. Les dommages causés au produit en raison d'un entretien inapproprié, d'un mauvais usage, d'une utilisation abusive, d'un accident ou d'une modification;
3. L'utilisation d'accessoires ou de composants non autorisés constitue une modification et annule toutes les garanties. Consulter le site web du fabricant ou communiquer avec le service à la clientèle au 888.346.7539 pour obtenir la liste

des accessoires et des composants autorisés.

4. En vertu de la garantie, le fabricant se limite à la réparation ou au remplacement de l'appareil.

5. Si le fabricant choisit de remplacer une pièce de votre produit, la pièce de rechange est assujettie aux mêmes garanties que celles du produit. L'installation de pièces de rechange ne modifie ni ne prolonge les garanties sous-jacentes. Le remplacement ou la réparation d'un produit ou d'une pièce ne crée aucune nouvelle garantie.

Si vous jugez que votre produit est défectueux, veuillez communiquer avec le fabricant au cours de la période de garantie pour obtenir des instructions sur la façon de procéder à la réparation ou au remplacement.

Pièces et Services

Veillez visiter gdaheat.com/parts pour savoir où obtenir des pièces et du service.

Pour enregistrer votre produit, veuillez visitez gdaheat.com/register

7 MODE D'EMPLOI

1. S'assurer que tous les fils sont correctement raccordés et que l'installation est terminée avant de mettre en marche l'appareil de chauffage.
2. Ne pas l'utiliser sans la grille.
3. Ne pas modifier le limiteur de surchauffe.

Installation terminée

Après l'installation, régler l'appareil de chauffage à la température maximale et le laisser fonctionner pendant 30 minutes. De la fumée causée par la combustion des résidus de fabrication de l'élément pourrait se dégager.

Si l'appareil de chauffage montre des signes de surchauffe (p. ex., s'il devient rouge ou s'il chauffe anormalement et s'éteint à répétition, déclencher immédiatement le disjoncteur et consulter la section "PRÊTER ATTENTION À LA TENSION" ou communiquer avec nous.

Si le limiteur de surchauffe se déclenche plus d'une fois par jour, remplacer l'appareil de chauffage.

Comment utiliser l'appareil de chauffage

La température ambiante est contrôlée par un thermostat mural ou intégré. Une fois l'installation terminée et le courant rétabli, suivre les étapes ci-dessous applicables au thermostat.

Si le thermostat mural ou intégré comporte un bouton:

1. Tourner le bouton du thermostat complètement vers la droite.
2. Lorsque la pièce atteint le niveau de confort désiré, tourner le bouton vers la gauche jusqu'à ce que vous entendiez un déclic et que l'appareil de chauffage s'arrête. L'appareil de chauffage maintient automatiquement la température ambiante à ce réglage.
3. Pour réduire la température de la pièce, tourner le bouton vers la gauche. Pour augmenter la température de la pièce, tourner le bouton vers la droite.

Dans le cas d'un thermostat mural électronique, suivre les instructions du guide de programmation et d'utilisation fourni avec le thermostat.

Questions les plus fréquemment posées sur notre site ici : gdaheat.com/FAQ



Réduire-Réutiliser-Recycler

Ce produit est principalement fabriqué de matériaux recyclés. Vous pouvez réduire votre empreinte de carbone en recyclant ce produit à la fin de sa vie utile. Veuillez communiquer avec le centre de recyclage de votre région pour obtenir de plus amples renseignements sur le recyclage.

ENTRETIEN DE VOTRE RADIATEUR

Nettoyer l'appareil de chauffage au moins tous les 6 mois ou au besoin. Ne pas lubrifier le moteur.

AVERTISSEMENT: Risque de choc électrique, coupez l'alimentation avant de retirer la grille.

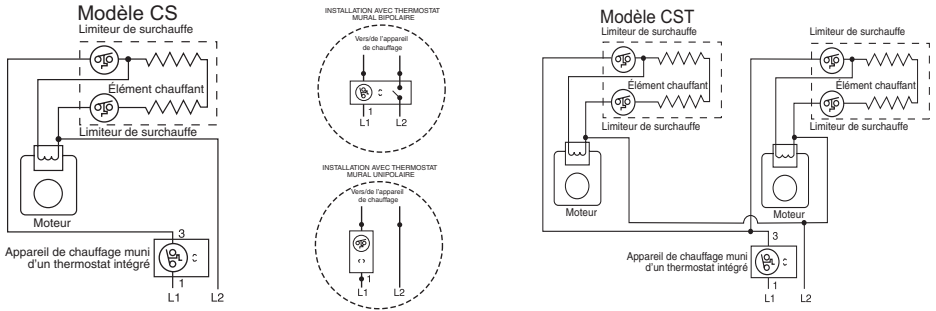
1. Couper l'alimentation électrique au panneau électrique principal.
2. Attendre que l'appareil de chauffage refroidisse.
3. Retirer le bouton du thermostat (le cas échéant) et la grille.
4. Laver la grille avec de l'eau chaude savonneuse et sécher.
5. Soufflez de l'air dans la résistance de chauffage en vous servant d'un sèche-cheveux ou achetez un aspirateur muni d'un cycle courant d'air.
6. Nettoyer le ventilateur à l'aide d'un aspirateur.
7. Remettre en place la grille et le bouton du thermostat (le cas échéant).
8. Rétablir le courant au panneau électrique principal.

Tout entretien autre que le nettoyage doit être effectué par un technicien autorisé.

Limiteur de surchauffe

Tous les appareils de chauffage CS et CST sont munis de limiteurs de surchauffe intégrés qui coupent l'alimentation électrique de l'appareil si celui-ci devient trop chaud à l'intérieur. Voir la section DÉPANNAGE ci-dessous en cas problèmes avec l'appareil de chauffage.

SCHÉMAS DE CÂBLAGE INTERNE



DÉPANNAGE

Symptôme	Problème	Solution
L'appareil de chauffage ne fonctionne pas du tout.	<ol style="list-style-type: none"> 1. Les raccords d'alimentation sont desserrés. 2. Un des limiteurs de surchauffe de l'appareil s'est déclenché. 3. Le limiteur de surchauffe secondaire de l'appareil s'est déclenché. 4. Le circuit d'alimentation est défectueux. 	<ol style="list-style-type: none"> 1. Couper l'alimentation électrique au électrique principal. Inspecter et/ou serrer tous les raccords à l'intérieur de l'appareil de chauffage, dans les boîtes de connexion ou au thermostat mural. 2. POUR RÉINITIALISER : Couper l'alimentation électrique au panneau électrique principal. Laisser l'appareil refroidir 20 minutes. S'assurer que l'appareil de chauffage n'est pas obstrué et qu'il est propre. Rétablir le courant. Si le limiteur de surchauffe se déclenche plus d'une fois par jour, remplacer l'appareil de chauffage. 3. Remplacer l'appareil de chauffage. 4. Communiquer avec un maître électricien.
Le disjoncteur s'est déclenché immédiatement après l'installation de l'appareil de chauffage.	<ol style="list-style-type: none"> 1. Il y a un court-circuit dans le câblage d'alimentation électrique ou de l'appareil de chauffage. 2. Le disjoncteur et l'appareil de chauffage n'ont pas la même tension nominale. 3. Le circuit est surchargé. 4. Le circuit d'alimentation est défectueux. 	<ol style="list-style-type: none"> 1. Une connexion incorrecte des fils d'alimentation ou dans l'appareil de chauffage peut provoquer des étincelles ou des arcs électriques. Inspecter l'isolant de tous les fils de l'appareil de chauffage et du câblage pour détecter des dommages, ou communiquer avec un maître électricien. 2. Vérifier de nouveau que la tension nominale de l'appareil de chauffage correspond à celle du circuit d'alimentation. Remplacer l'appareil de chauffage par un modèle de 240 volts. 3. Utiliser un appareil de chauffage de puissance inférieure ou réduire le nombre d'appareils sur le circuit. 4. Communiquer avec un maître électricien.
L'appareil de chauffage émet de l'air froid ou ne chauffe pas.	<ol style="list-style-type: none"> 1. Élément défaillant. 2. Un seul côté chauffe, et un des limiteurs de surchauffe s'est déclenché de l'autre côté (modèle CST seulement). 	<ol style="list-style-type: none"> 1. Remplacer l'appareil de chauffage. 2. POUR RÉINITIALISER : Couper l'alimentation électrique au panneau de électrique principal. Laisser l'appareil refroidir 20 minutes. S'assurer que l'appareil de chauffage n'est pas obstrué et qu'il est propre. Rétablir le courant. Si le limiteur de surchauffe se déclenche plus d'une fois par jour, remplacer l'appareil de chauffage.
Le radiateur émet une odeur après l'installation ou une période de non-utilisation.	<ol style="list-style-type: none"> 1. Odeur émise par les résidus de fabrication de l'élément. 2. Poussière ou charpie à l'intérieur de l'appareil de chauffage. 3. Raccords d'alimentation qui sont desserrés. 	<ol style="list-style-type: none"> 1. Dans une nouvelle installation, de la fumée causée par la combustion des résidus de fabrication de l'élément peut se dégager. Elle se dissipe généralement en quelques heures. 2. Nettoyer l'appareil de chauffage (voir la section "ENTRETIEN DE L'APPAREIL DE CHAUFFAGE" à la page 7 pour obtenir les instructions). 3. Couper l'alimentation électrique au panneau électrique principal. Inspecter et/ou serrer tous les raccords à l'intérieur de l'appareil de chauffage, dans les boîtes de connexion ou au thermostat mural.
Le ventilateur/moteur ne tourne pas ou tourne lentement.	<ol style="list-style-type: none"> 1. Le circuit est muni d'un disjoncteur 120 volts et l'appareil de chauffage est un modèle de 240 volts. 2. Moteur défectueux ou tension du moteur inappropriée. 	<ol style="list-style-type: none"> 1. Vérifier de nouveau que la tension nominale de l'appareil de chauffage correspond à celle du circuit d'alimentation. Remplacer l'appareil de chauffage par un modèle de 120 volts. 2. Remplacer le moteur.
L'appareil de chauffage fonctionne sans arrêt.	<ol style="list-style-type: none"> 1. Le thermostat est défectueux. 2. Aucun thermostat n'est raccordé pour commander l'appareil de chauffage. 3. La puissance de l'appareil de chauffage ne convient pas à la dimension de la pièce. 	<ol style="list-style-type: none"> 1. Remplacer le thermostat. 2. Un thermostat est requis pour tous les aéroconvecteurs. Acheter un thermostat intégré ou mural pour votre appareil de chauffage. 3. Installer un modèle de puissance supérieure ou des appareils de chauffage supplémentaires si le circuit électrique le permet.

Si vous n'êtes pas familier avec l'électricité, l'utilisation des fils d'alimentation ou l'installation du disjoncteur, veuillez consulter un électricien autorisé.