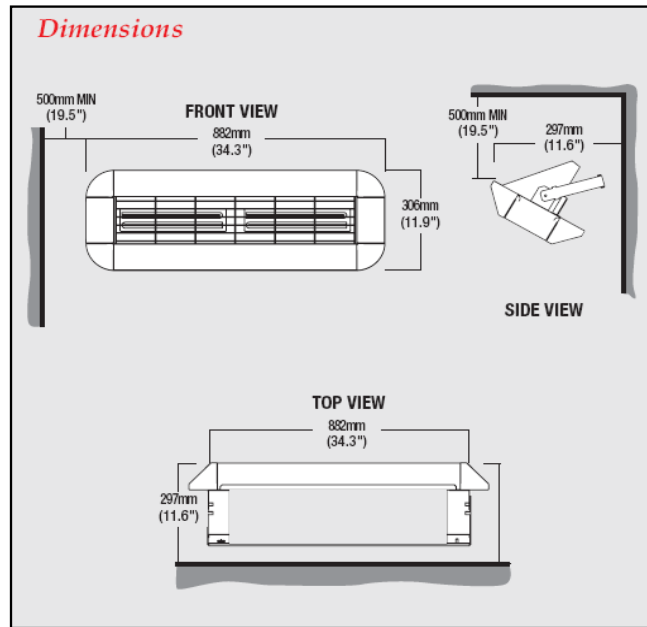


# CHROMALOX®

## CXD2000H-NA RADIANT HEATER



### SPECIFICATIONS

**VOLTAGE** 240V

**FINISH** Powder-coated steel, finished in high temperature matte black

**WATTAGE** 2000W

**HEATING ELEMENT** Two 1000W ceramic elements

**COLOUR** Black

**WARRANTY** One year on complete unit

| TYPE | QTY | CAT. NO. | WATTS | VOLTS | PHASE | REMARKS |
|------|-----|----------|-------|-------|-------|---------|
|      |     |          |       |       |       |         |
|      |     |          |       |       |       |         |
|      |     |          |       |       |       |         |
|      |     |          |       |       |       |         |
|      |     |          |       |       |       |         |
|      |     |          |       |       |       |         |
|      |     |          |       |       |       |         |

DATE \_\_\_\_\_  
 CUSTOMER \_\_\_\_\_  
 PROJECT \_\_\_\_\_  
 CONTRACTOR \_\_\_\_\_  
 ENGINEER \_\_\_\_\_  
 SUBMITTED BY \_\_\_\_\_