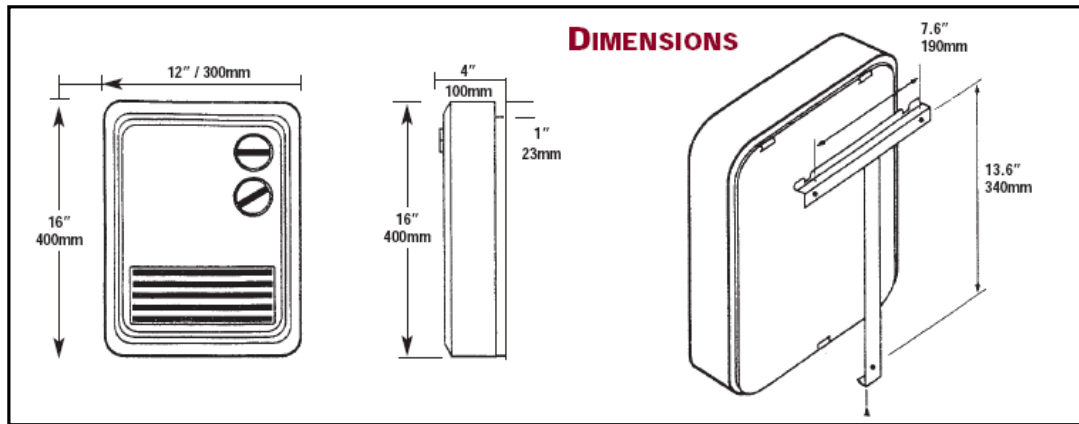


ELECTROMOIDE®

EF621C DELUXE WALL MOUNTED FAN HEATER



SPECIFICATIONS

VOLTAGE 240 / 208V

WATTAGE 1000 / 750W (2000 / 1500W with timer)

COLOUR White

FINISH Polyester epoxy powder coat painted finish

CONSTRUCTION The front panel is constructed of 20 gauge steel.
Wall mount bracket included.

FAN & MOTOR The two speed heavy duty fan motor is connected to a side aluminium fan. The fan delay is a bi-metallic snap action type.

CONTROLS & WIRING Built in thermostat with frost protection setting at 41F/5C.
60 minute timer energizes additional heat output when activated.

WARRANTY Two year limited warranty on complete unit. CSA and NRTL approved.

TYPE	QTY	CAT. NO.	WATTS	VOLTS	PHASE

DATE _____
 CUSTOMER _____
 PROJECT _____
 CONTRACTOR _____
 ENGINEER _____
 SUBMITTED BY _____