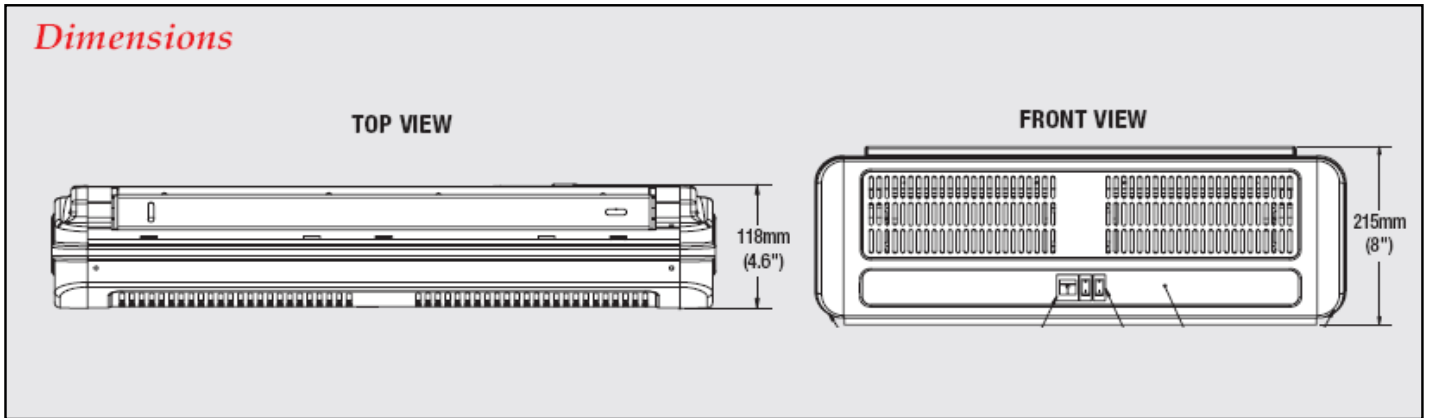


# ELECTROMICIDE®

## AC DOWNFLOW HEATER



### SPECIFICATIONS

**VOLTAGE** 208/240V

**WATTAGE** Three sizes from 2250 to 6000W

**COLOUR** White

**FINISH** Polyester epoxy powder coat painted finish

**CONSTRUCTION** Pressed steel case with ABS endcaps

**HEATING ELEMENT** Wire stitched element for instant response

**FAN & MOTOR** The fan motor is totally enclosed and factory lubricated complete with squirrel cage style aluminium fan.

**CONTROLS & WIRING** All models feature on-board controls - fan only, low and high heat. AC3N can be externally controlled.

**WARRANTY** One year on complete unit

TYPE	QTY	CAT. NO.	WATTS	VOLTS	CFM	COLOUR	REMARKS

DATE \_\_\_\_\_  
 CUSTOMER \_\_\_\_\_  
 PROJECT \_\_\_\_\_  
 CONTRACTOR \_\_\_\_\_  
 ENGINEER \_\_\_\_\_  
 SUBMITTED BY \_\_\_\_\_