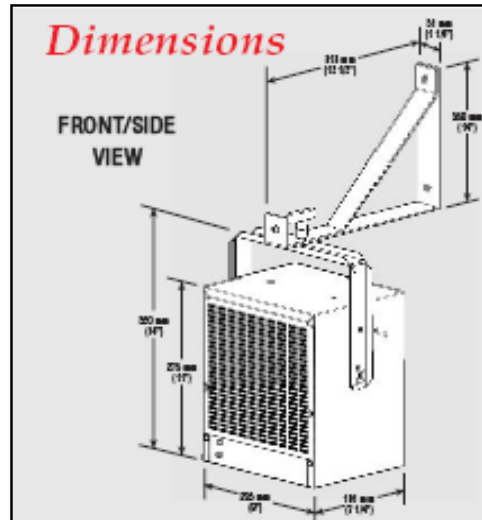


ELECTROMIDE®

DGWH4031 GARAGE/WORKSHOP HEATER



SPECIFICATIONS

VOLTAGE 240V

WATTAGE 4000W

COLOUR Almond

FINISH Powder coat epoxy finish

FAN Fan is propeller type accurately balances and correctly pitched to optimize performance.

CONTROL Double pole thermostat is built-in temperature range of 45-77F (7-25C).

WARRANTY One year on complete unit. CUL and UL approved.

TYPE	QTY	CAT. NO.	WATTS	PHASE	VOLTS	CFM	REMARKS

DATE _____

CUSTOMER _____

PROJECT _____

CONTRACTOR _____

ENGINEER _____

SUBMITTED BY _____