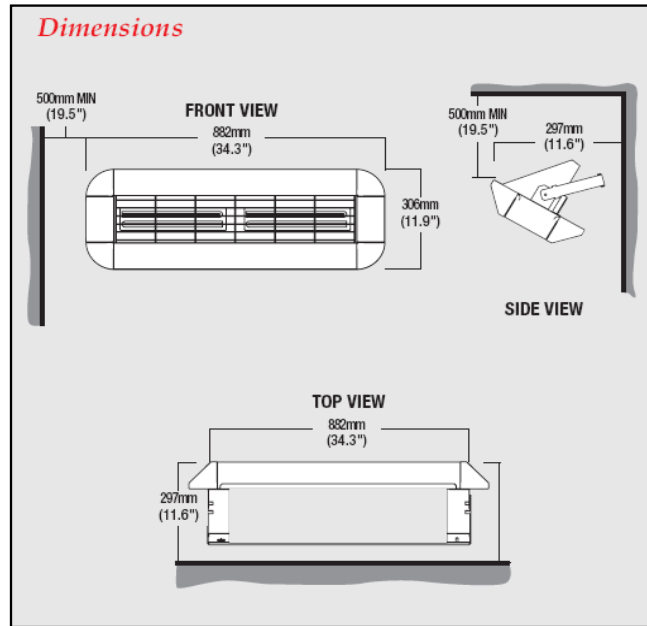


# ELECTROMODIE®

## CXD2000H-NA RADIANT HEATER



### SPECIFICATIONS

**VOLTAGE** 240V

**FINISH** Powder-coated steel, finished in high temperature matte black

**WATTAGE** 2000W

**HEATING ELEMENT** Two 1000W ceramic elements

**COLOUR** Black

**WARRANTY** One year on complete unit

TYPE	QTY	CAT. NO.	WATTS	VOLTS	PHASE	REMARKS

DATE \_\_\_\_\_  
 CUSTOMER \_\_\_\_\_  
 PROJECT \_\_\_\_\_  
 CONTRACTOR \_\_\_\_\_  
 ENGINEER \_\_\_\_\_  
 SUBMITTED BY \_\_\_\_\_