



Order No. X-XLF10017-XD
Model No. XLF10017-XD

Notes:

Section 10309 - Manufactured Electric Fireplaces

PART 1 GENERAL

1.1 SECTION INCLUDES

- A. Manufactured electric fireplaces
- B. Accessories

1.2 RELATED SECTIONS

- A. Section 06100 - Rough Carpentry: Wood framed rough opening and enclosure

1.3 REFERENCES

- A. UL - 2021
- B. CSA - C22.2 No. 46

1.4 SUBMITTALS

- A. Submit under provisions of Section 01300.
- B. Product Data: Manufacturer's data sheets on each product to be used, including:
 - 1. Preparation instructions and recommendations
 - 2. Storage and handling requirements and recommendations
 - 3. Installation methods
- C. Manufacturer's Certificates: Certify products meet or exceed specified requirements.
- D. Manufacturer's warranty.

1.5 DELIVERY, STORAGE, AND HANDLING

- A. Store products in manufacturer's unopened packaging until ready for installation.
- B. Protect materials from exposure to moisture. Do not deliver until after wet work is complete and dry.

1.6 WARRANTY

- A. 5-year limited warranty for indoor use and 1-year limited warranty for outdoor use.

PART 2 PRODUCTS

2.1 ACCEPTABLE MANUFACTURERS

- A. Pre-fabricated Electric Fireplace:
 - 1. Base: Dimplex Electric Fireplace
Glen Dimplex Americas
1367 Industrial Road
Cambridge ON N3H 4W3
1-888-346-7539
www.dimplex.com
 - 2. Substitutions not permitted
 - 3. Requests for substitutions will be considered in accordance with provisions of Section 01600



Order No.	X-XLF10017-XD
Model No.	XLF10017-XD
Notes:	

Section 10309 - Manufactured Electric Fireplaces

2.2 ELECTRIC FIREPLACES

A. General:

1. Provide all components and accessories required for a complete, functional unit
2. cULus listed, file E71416

B. Pre-fabricated Electric Fireplace:

1. Base Product:

- a) Dimplex Ignite Bold Linear Electric Fireplace
- b) Material Number: X-XLF10017-XD
- c) Model Number: XLF10017-XD
- d) Regulatory model number: 6911620000

2. Description: Realistic 100" linear electric fireplace

3. Dimensions (Bay installation):

- a) Width: 100-3/4" / 255.9 cm
- b) Height: 23-7/8" / 60.7 cm
- c) Depth: 12-1/8" / 30.6 cm

4. Framing Dimensions:

- a) Width: 99-3/4" / 253.4 cm
- b) Height: 24-1/4" / 61.6 cm
- c) Depth: 11-5/8" / 29.5 cm

5. Electrical:

- a) Volts: 120 V, 240 V with neutral wire
- b) Watts: 1500 W, 2500 W
- c) BTUs: 5118 / 8530
- d) Amps: 12.5 / 10.4

6. Venting: Non-venting

7. Operation: Flame only, heat only, flame and heat

8. Heating: Louver-less, fan-forced circulation

9. Liner: Steel

10. Standard features:

- a) A new multi-layered color effect that creates a sense of depth. Color settings can be controlled independently or combined in one of five presets
- b) Ambient light sensor automatically adjusts firebox light to suit the room or can be customized with a range of preset colors
- c) The multi-media bed includes small and large acrylic crystals with natural looking driftwood
- d) LED flame technology



Order No. **X-XLF10017-XD**
Model No. **XLF10017-XD**

Notes:

Section 10309 - Manufactured Electric Fireplaces

- e) Hard wire capabilities - 120V, 240V
 - f) Built-in touch controls
 - g) Built-in Timer - Set for up to 8 hours
 - h) Seamless installation and edge to edge glass
 - i) Equipped with integrated smart technology that provides maintenance and operation feedback
11. Control options:
- a) Flame Connect mobile app
 - b) Multi-function remote control
 - c) Built-in hidden controls (Standby, heat on/off, thermostat, brightness, flame theme)
12. Optional Accessories:
- a) Plug Kit - XLFXDPLUG
 - b) Linking Kit for Modular Installation - X-XLFXDLINK
 - c) Other optional accessories available

PART 3 EXECUTION

3.1 INSPECTION

- A. Do not begin installation until substrates have been properly prepared.
- B. If substrate preparation is the responsibility of another installer, notify Architect of unsatisfactory preparation before proceeding.
- C. Verify proper power supply and fuel source are available.

3.2 PREPARATION

- A. Clean surfaces thoroughly prior to installation.
- B. Prepare surfaces using the methods recommended by the manufacturer for achieving the best result for the substrate under the project conditions.

3.3 INSTALLATION

- A. Install in accordance with manufacturer's instructions and requirements of authorities having jurisdiction.
- B. Use manufacturer's guidelines for minimum clearances to combustibles, walls, and finishes.
- C. Anchor all components firmly in position for long life under hard use.
- D. Upon completion of installation, visually inspect all exposed surfaces. Touch up scratches and abrasions with touch up paint recommended by the manufacturer; make imperfections invisible to the unaided eye from a distance of 5 feet (1.5 m).
- E. To use the mobile app, install where a WiFi connection is available.

3.4 PROTECTION

- A. Protect installed products until completion of project.
- B. Touch-up, repair or replace damaged products before Substantial Completion.

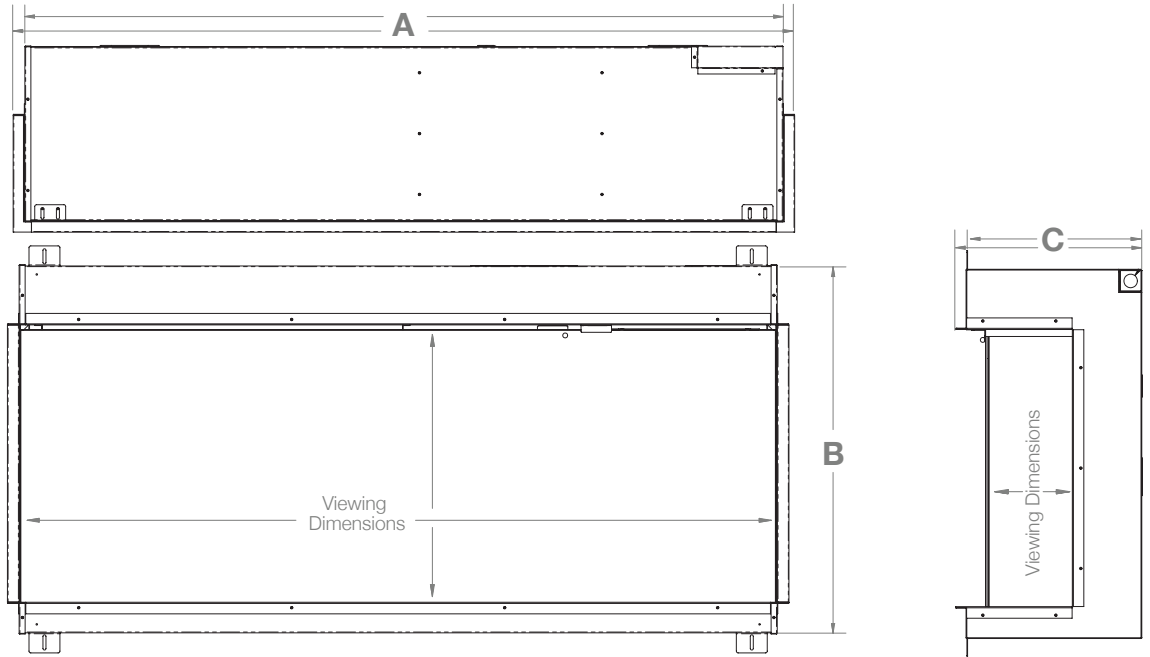
END OF SECTION



Order No. **X-XLF10017-XD**
 Model No. **XLF10017-XD**

Notes:

Product Dimensions:



Product XLF10017-XD	A WIDTH (in/cm)	B HEIGHT (in/cm)	C DEPTH (in/cm)	VIEWING DIMENSION - WxHxD (in/cm)
Bay Install	100-3/4 (255.9)	23-7/8 (60.7)	12-1/8 (30.6)	99-1/8 x 16-1/8 x 5-1/2 (251.7 x 40.9 x 14.0)
Front Install	99-3/4 (253.4)		11-3/8 (28.9)	

Installation Instructions

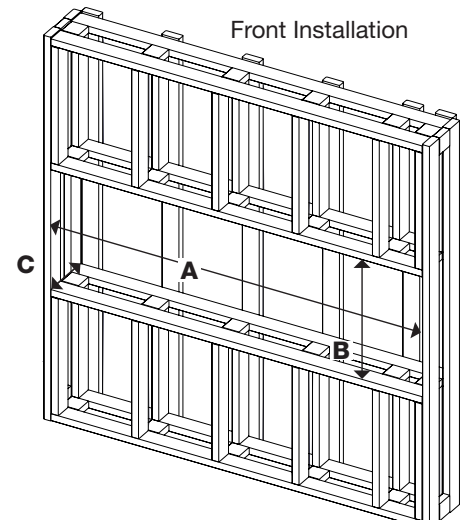
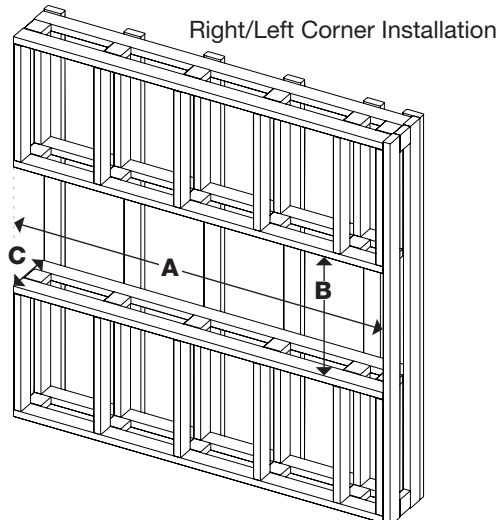
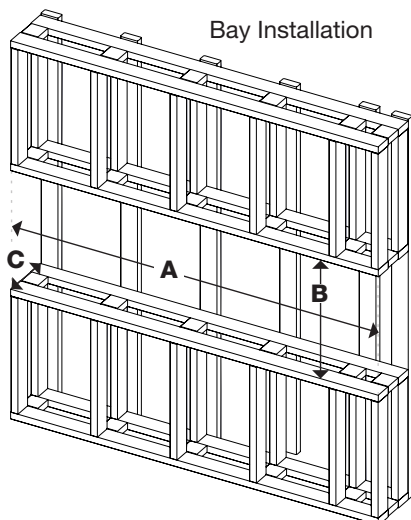
Width A	Height B	Depth (minimum) C
99-3/4" (253.4 cm)	24-1/4" (61.6 cm)	11-5/8" (29.5 cm)

The dimensions are the same for single-sided, two-sided, or three-sided installations.

CAUTION: This fireplace is **NOT** load-bearing. Ensure the opening for the fireplace is framed in such a way that the weight of the building materials will not create pressure on the top of the fireplace.

NOTE: Wiring is performed at the top right back corner of the firebox. Plan the framing to allow routing the power cable to this location.

NOTE: It is recommended that the bottom of the unit be mounted between 5" (13 cm) and 40" (102 cm) from the ground to maintain an optimized viewing angle of the flame.



Framing / Installation:

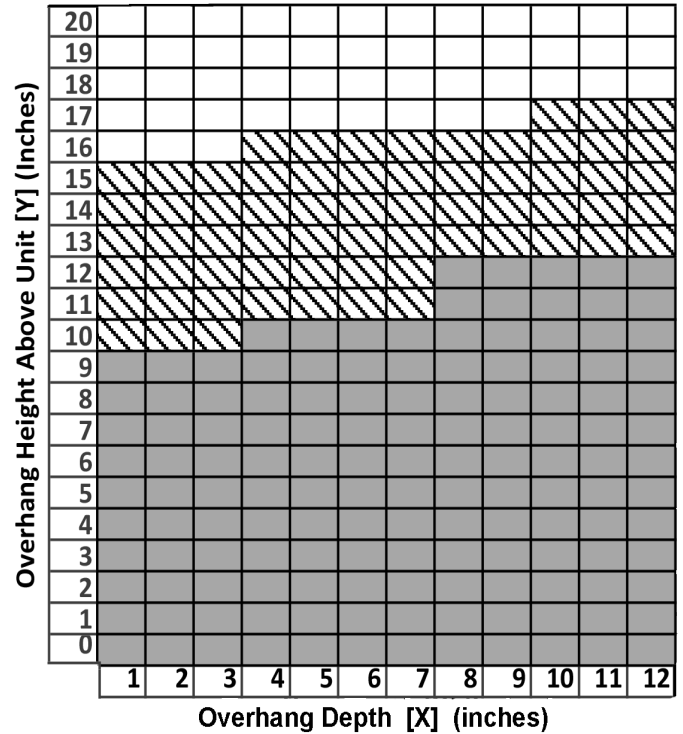
Installation Recommendations for Overhanging Objects

For overhanging temperature-sensitive objects, such as a television, a mantel, or artwork, always follow the recommendations provided by its manufacturer for installation over a heater.

Figure 1 provides the overhang clearance recommendations for the fireplace. Areas above the fireplace are marked as follows:

- Solid gray box (■) is subject to temperatures greater than 65°C (149° F).
- Hatched box (▨) is subject to temperatures greater than 40°C (104° F).
- Clear box (□) is subject to temperatures less than 40°C (104° F).

Figure 1



Outdoor Installation

This electric fireplace is suitable for installation in outdoor areas, sheltered by an overhang to protect against direct water ingress. Installation on ground-fault protected circuit is recommended. All electrical connections and routings shall be in accordance with local building code requirements.

To maintain warranty coverage, the overhang must follow this rule:

- Maximum Height $\leq 3 \times$ Projection Length, where:
- Maximum Height is measured vertically from the bottom of the fireplace to the bottom edge of the overhang
- Projection Length is measured from the exposed face of the fireplace to the parallel edge of the overhang
- For example, if the overhang is 9 feet above the bottom of the fireplace, it must extend a least 3 feet outwards on all sides

Figure 2

